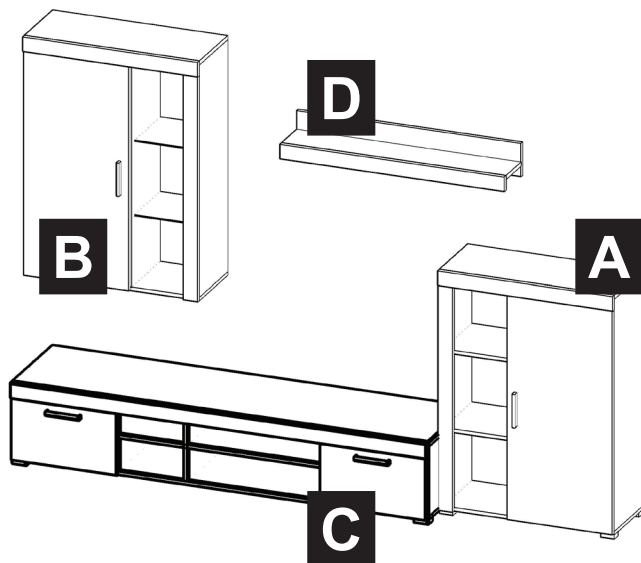
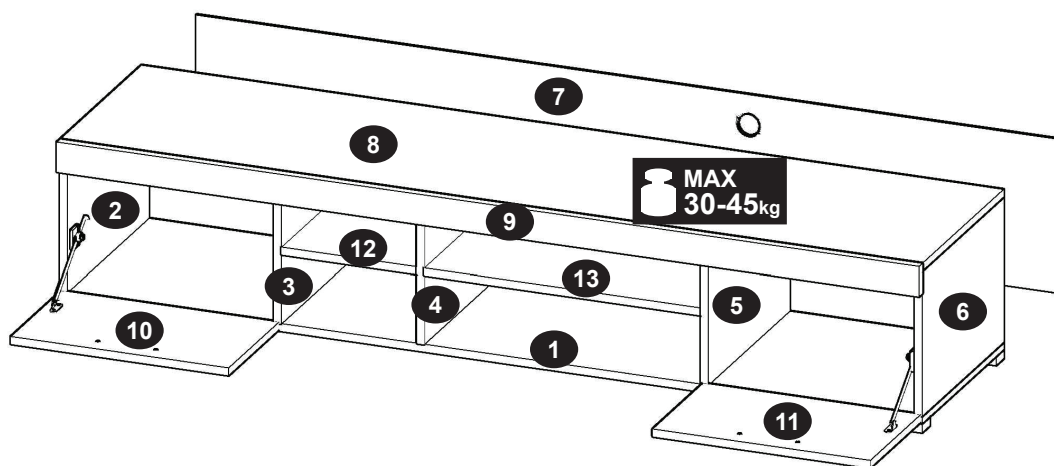


TOM 2

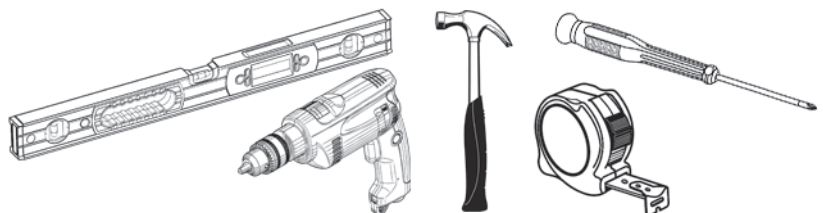
28800040/01

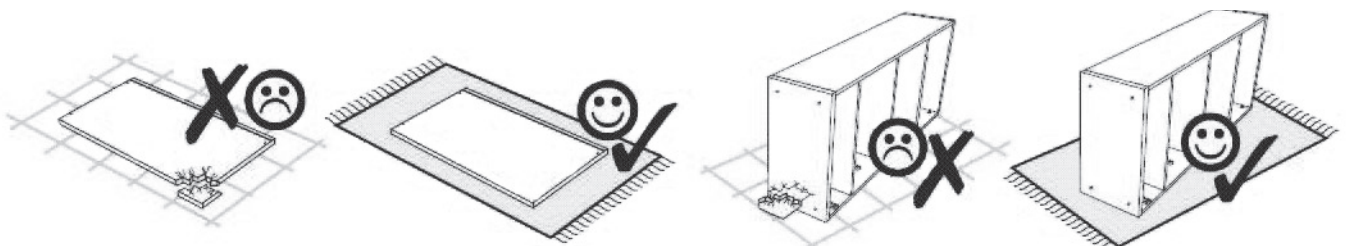
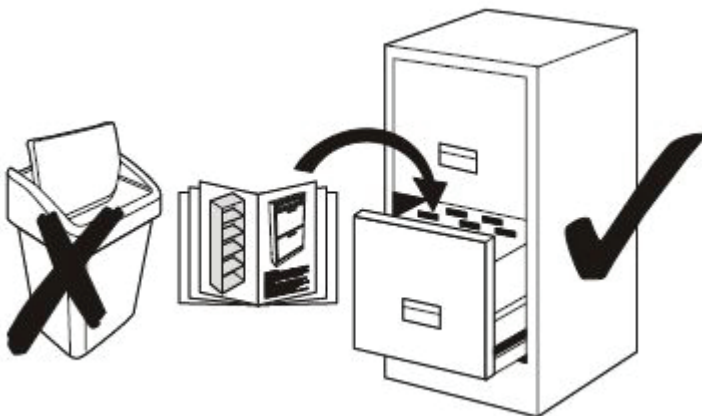
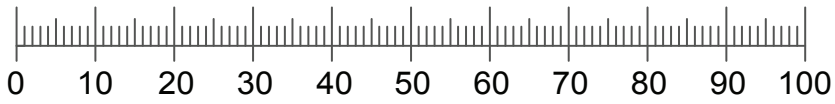
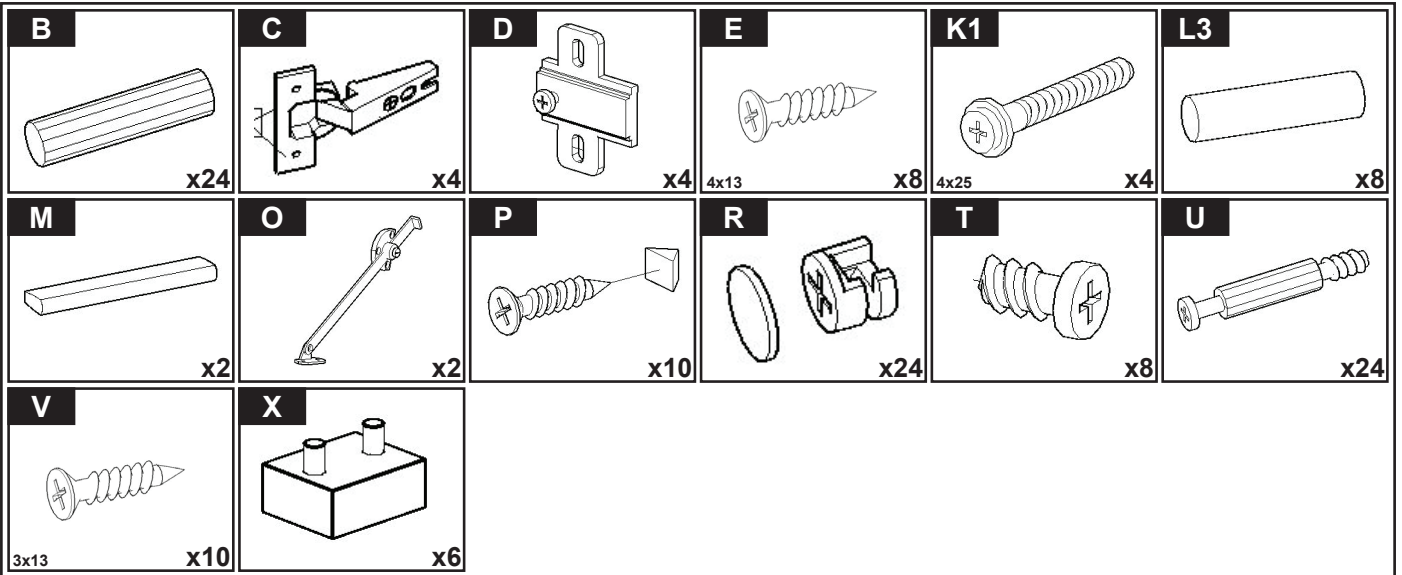


C

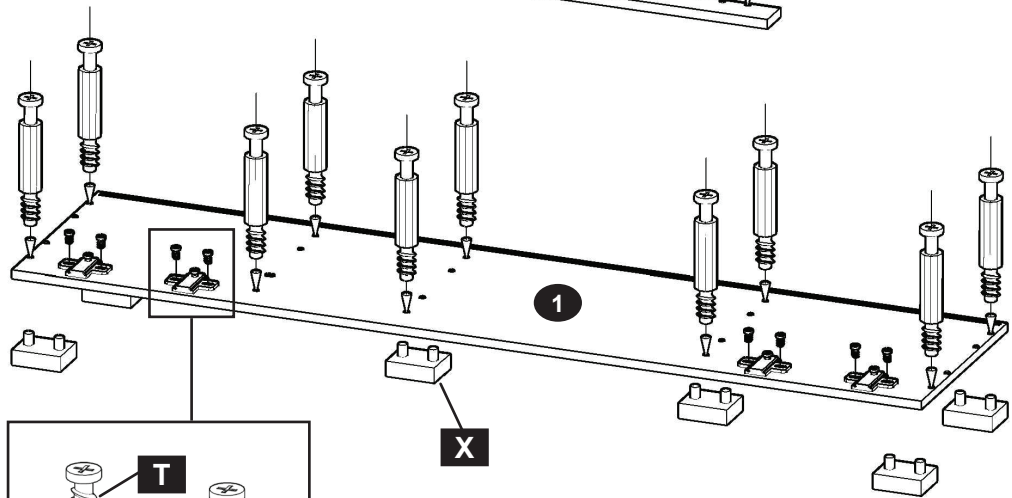
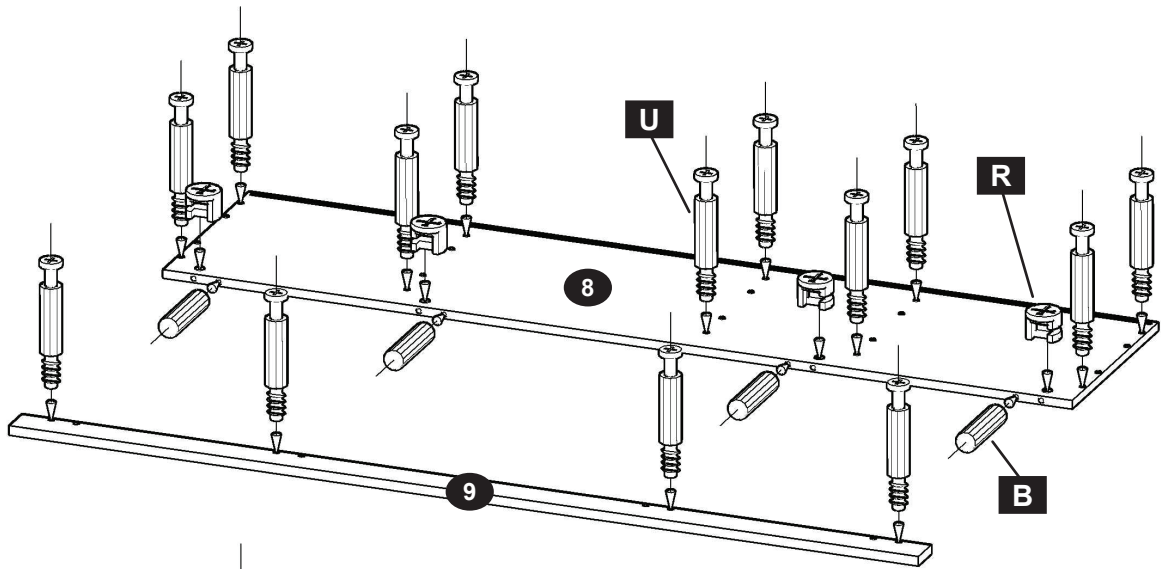


50 min.

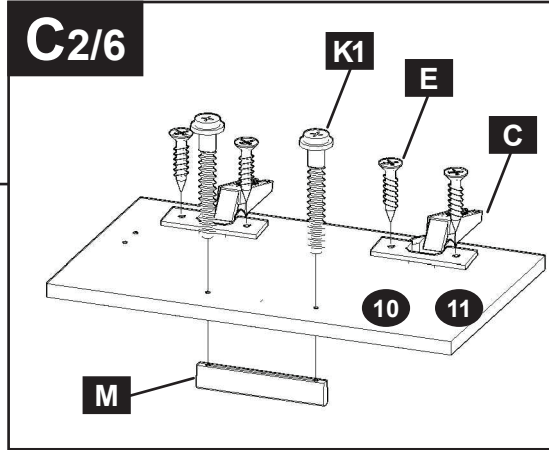




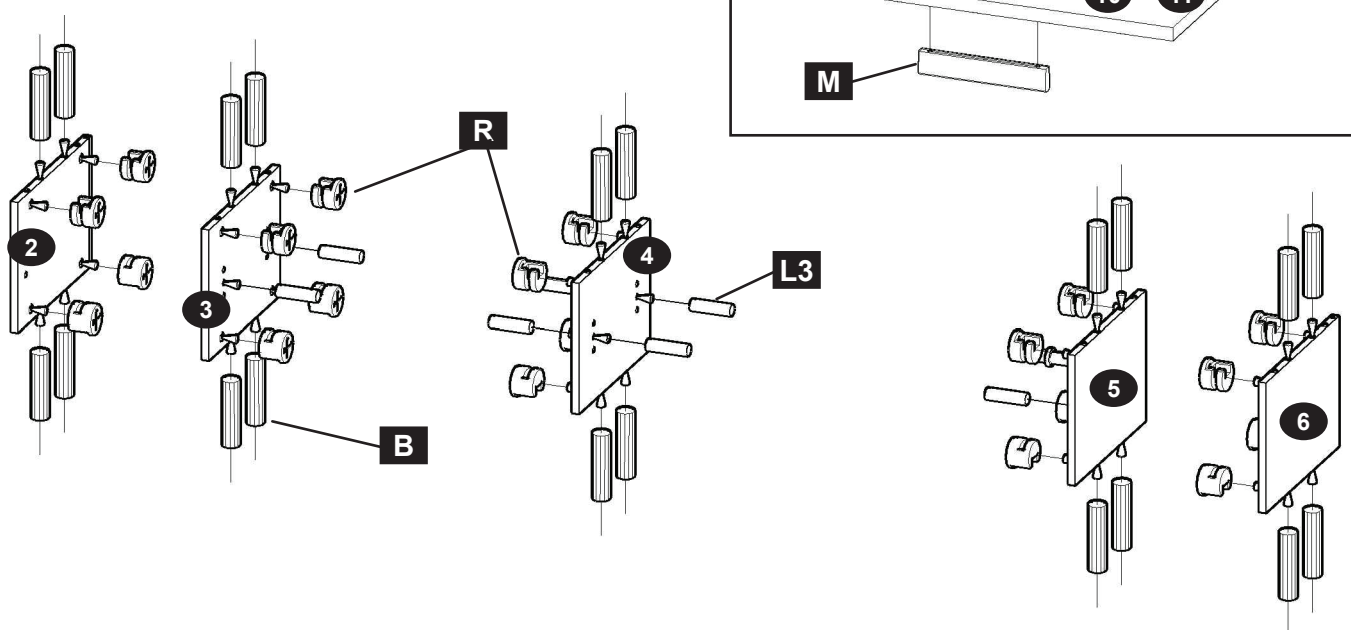
C1/6



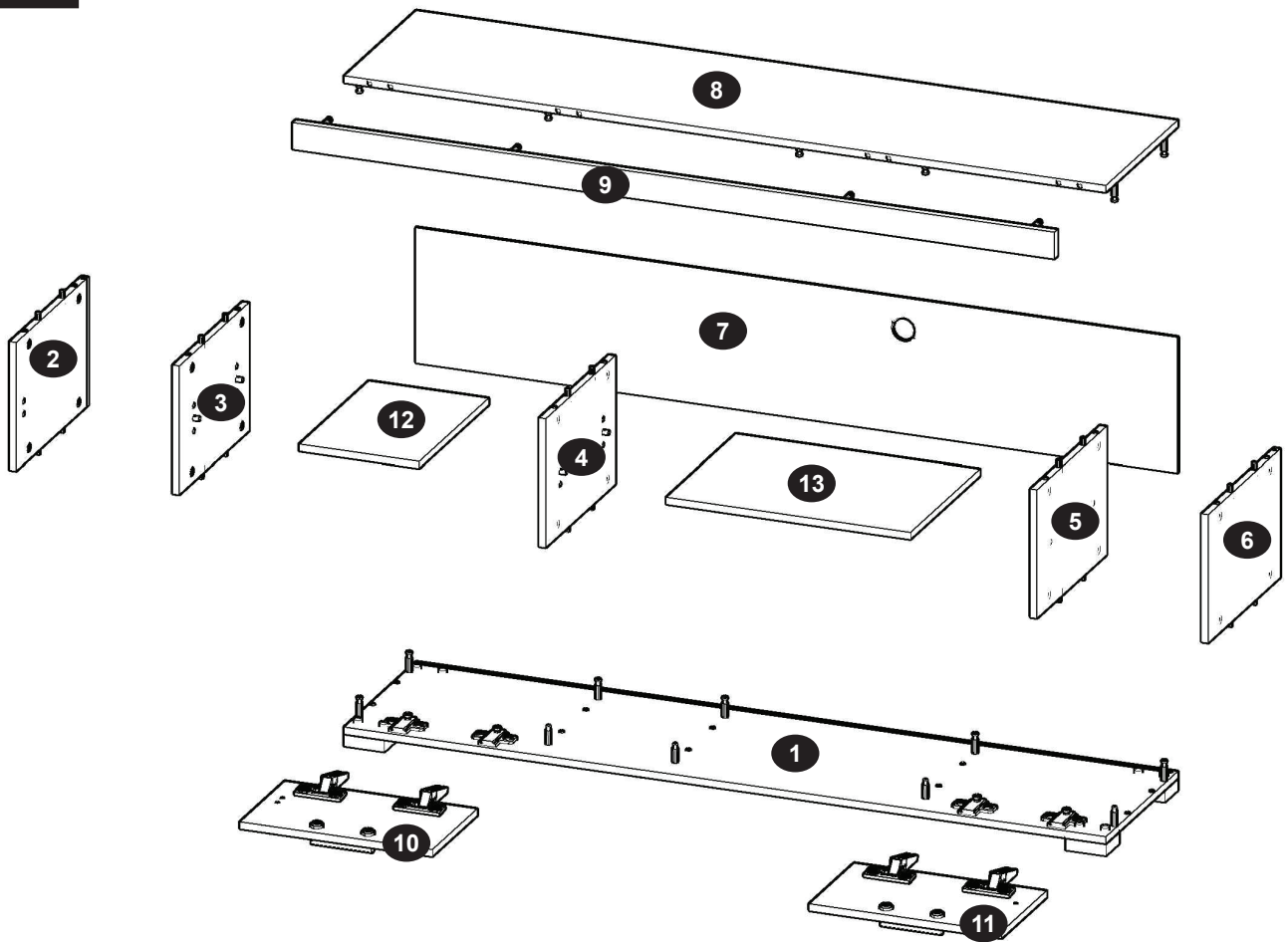
C2/6



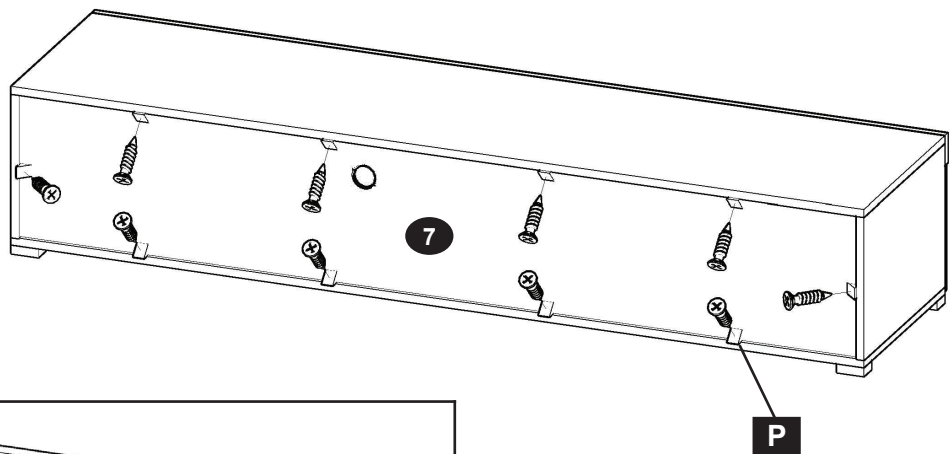
C3/6



C4/6



C5/6



C6/6

