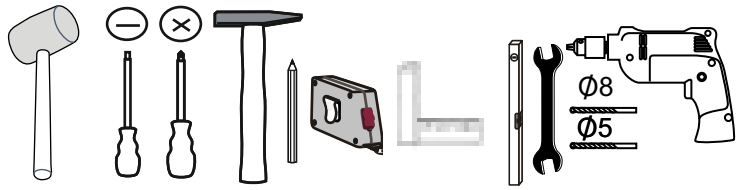
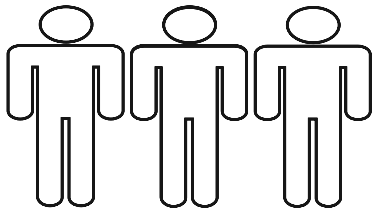
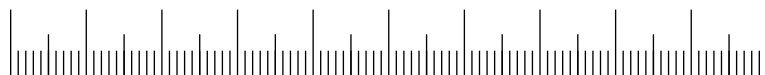


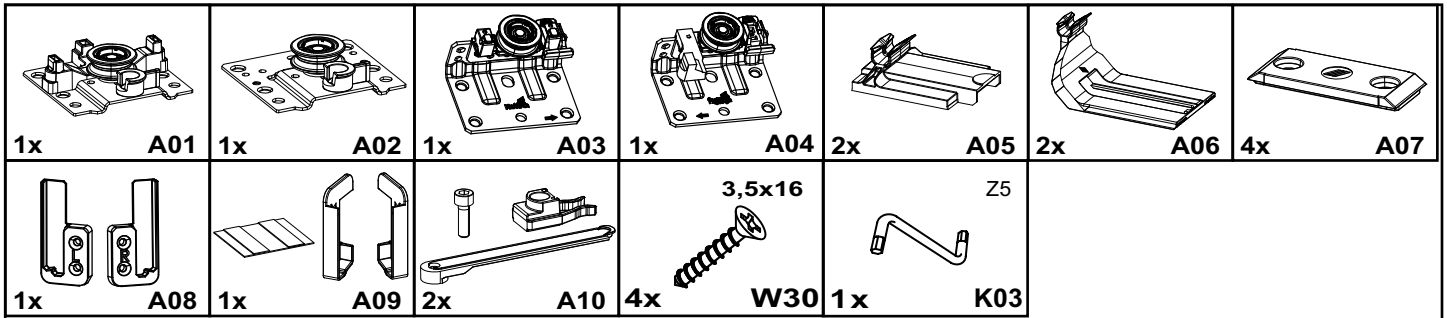
NR	DIM	QTE	COLLI
1	986x515x22	1	1/7
2	986x535x15	1	1/7
3	827x50x15	2	1/7
4	827x50x15	2	1/7
5	986x50x15	1	1/7
6	986x50x15	1	1/7
7	986x535x15	1	1/7
8	827x535x15	2	2/7
9	827x515x22	2	2/7
10R	827x535x15	1	2/7
10L	827x535x15	1	2/7
11	2095x551x15	1	3/7
12	2033x2x993	1	3/7
13	2095x580x15	1	3/7
14	2094x535x15	2	4/7
15	2033x834x2	2	4/7
16	1365x341,5x15	2	5/7;6/7
17	1365x341,5x15	6	5/7;6/7
18	1365x341,5x15	4	5/7;6/7



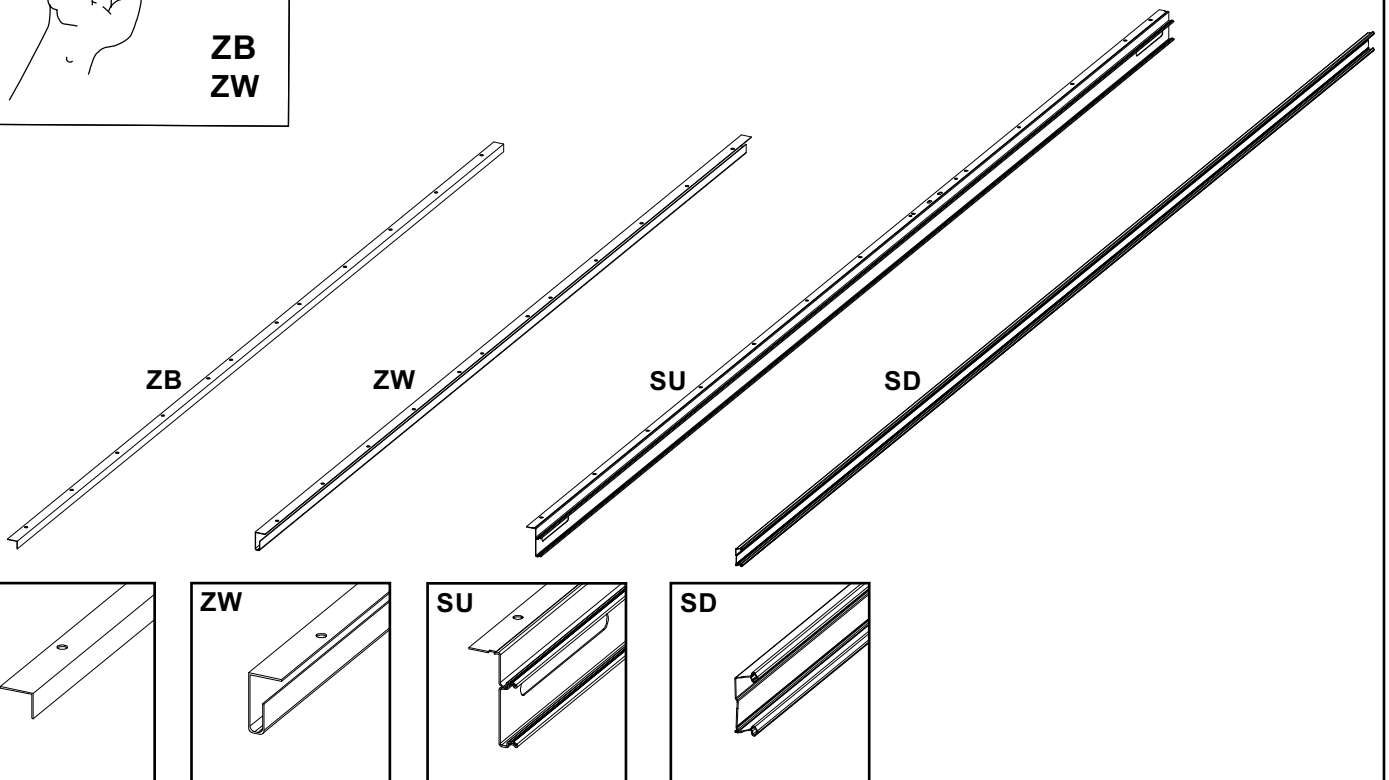
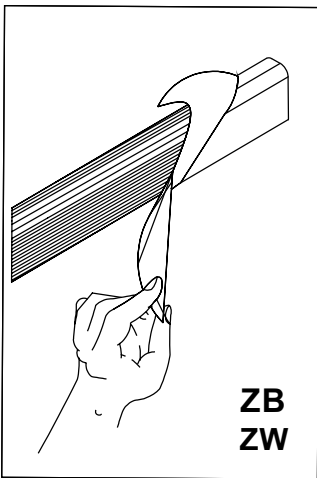
 48x T05	 48x T04	 18x W16	 18x C02	 24x R02	 24x W20	 20x S01
 6x E03	 214x W02	 24x W12	 12x W49	 30x W08	 3x Za2	 1x K02
 2x F01	 2x F11	 2x F13	 4x W07	 1x J01	 2x J02	 4x KL2

0 10 20 30 40 50 60 70 80 90 100

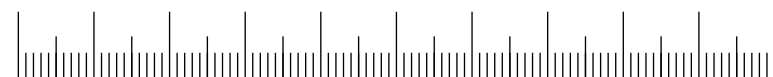




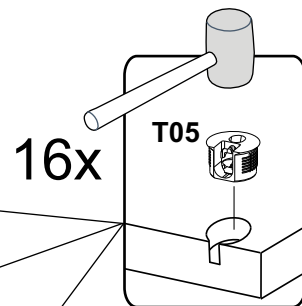
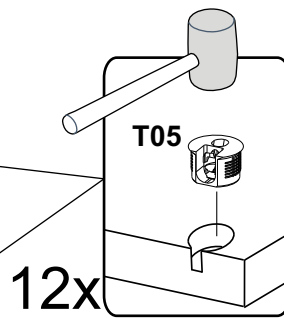
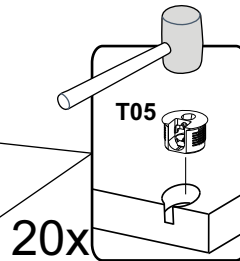
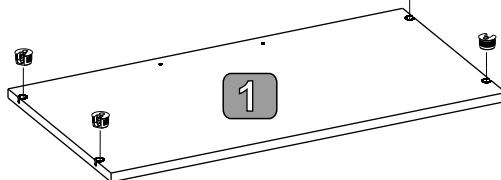
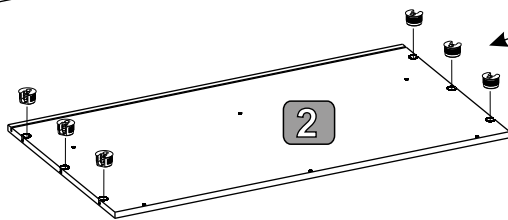
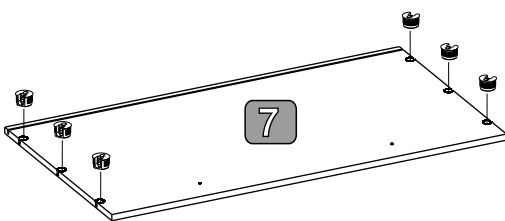
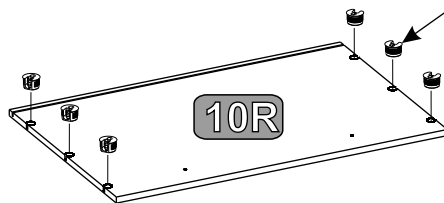
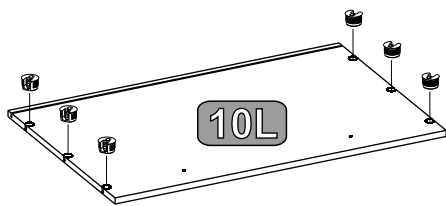
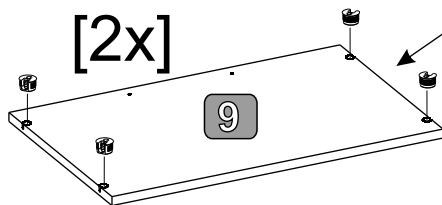
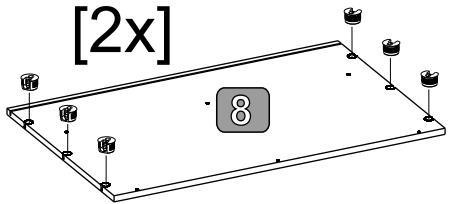
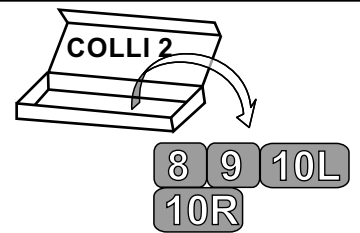
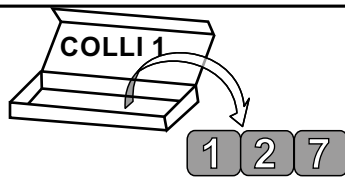
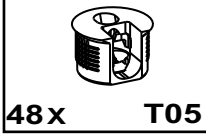
NR	DIM	QTE	COLLI
ZB	L-2050	1	7/7
ZW	L-2050 H-37	3	7/7
SU	L-2668	1	7/7
SD	L-2664	1	7/7



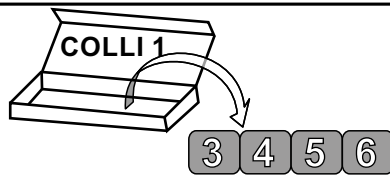
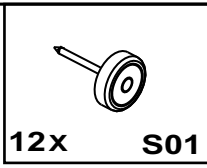
0 10 20 30 40 50 60 70 80 90 100



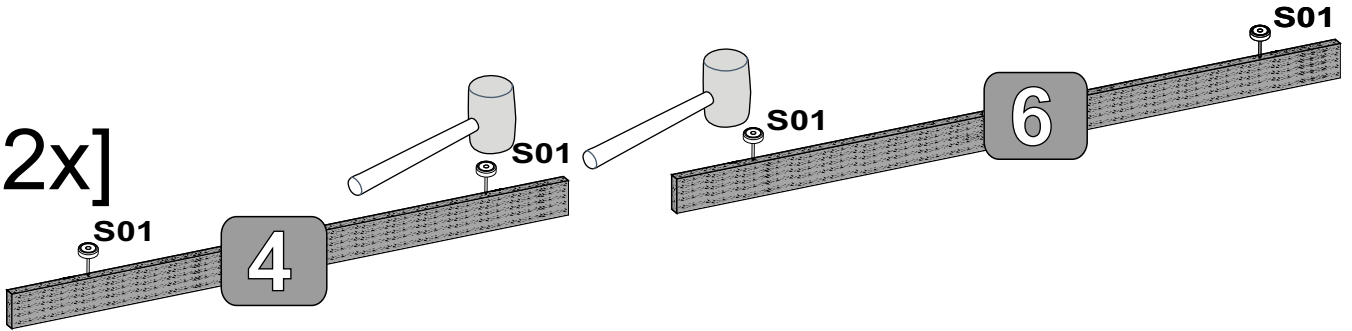
1



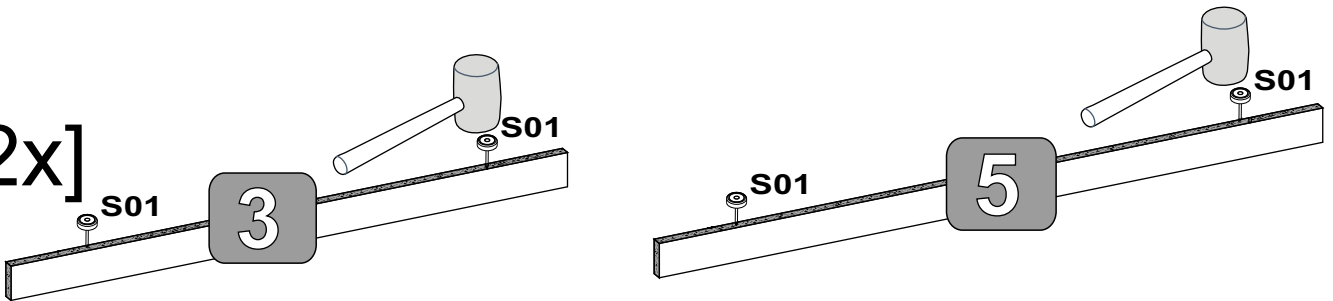
2



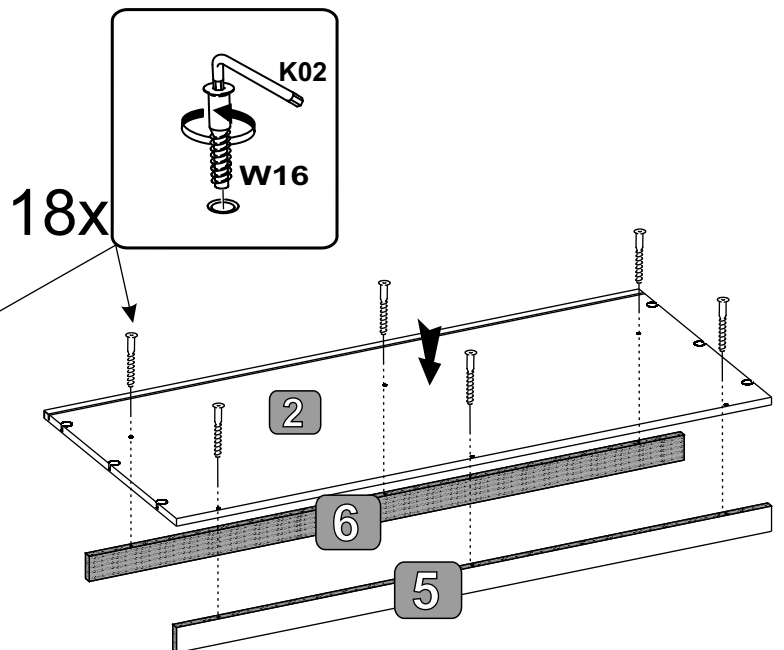
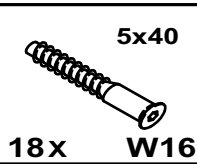
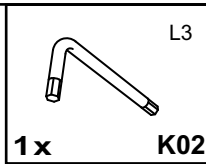
[2x]



[2x]







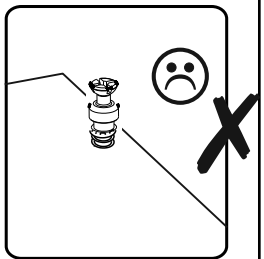
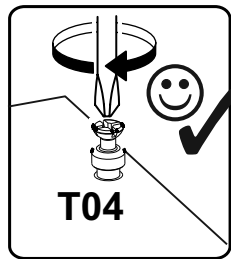
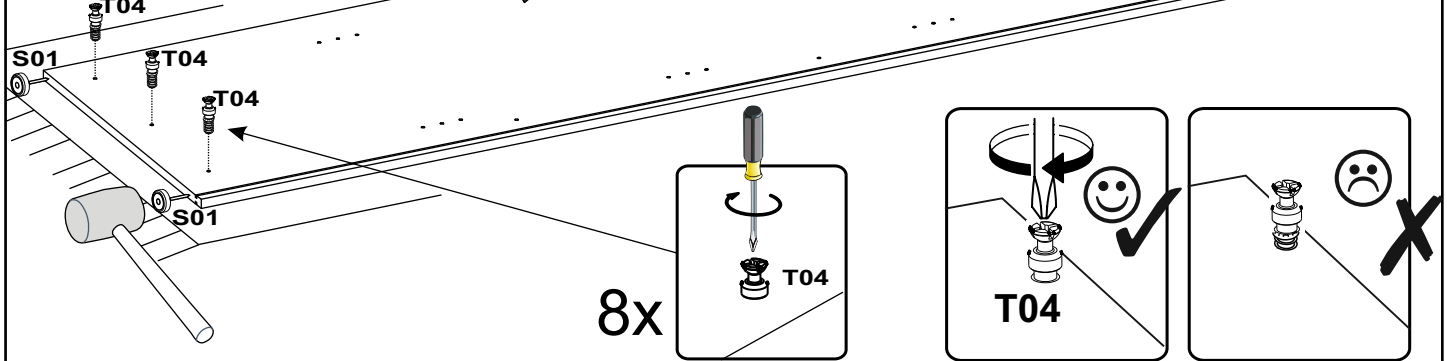
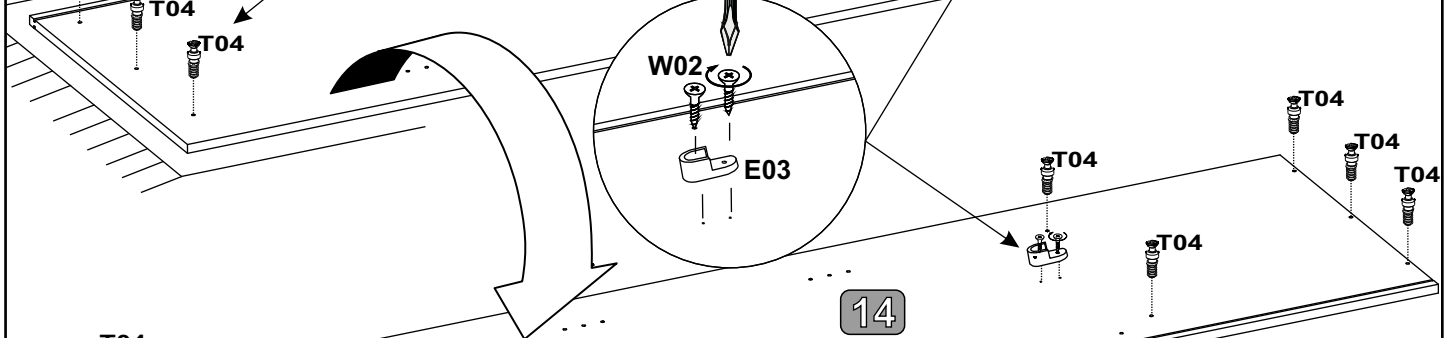
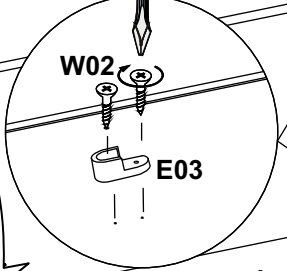
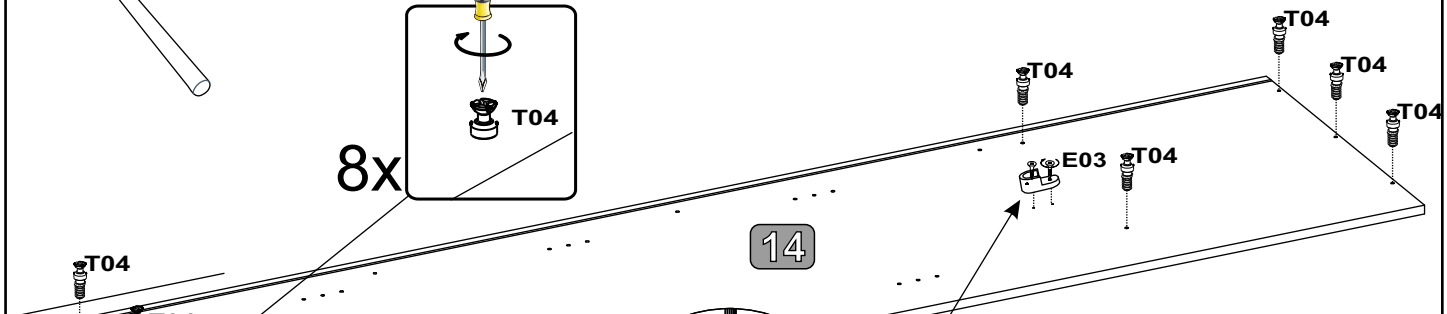
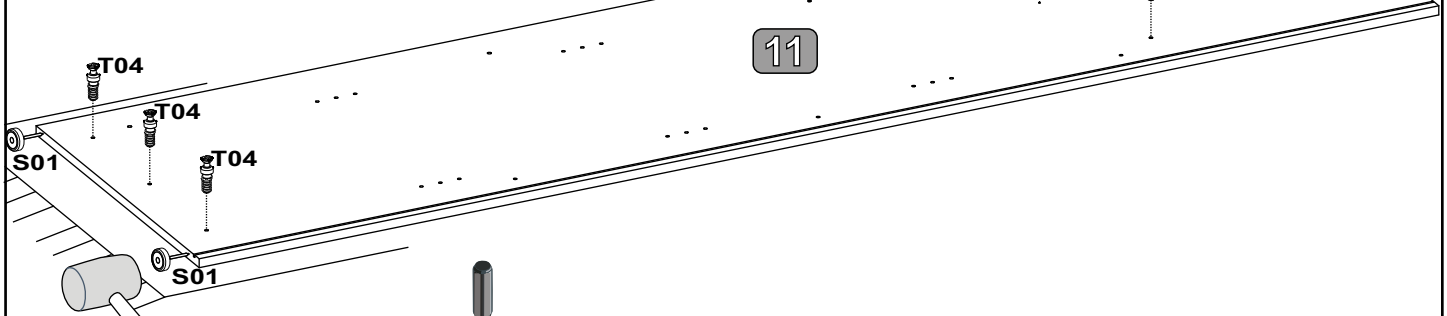
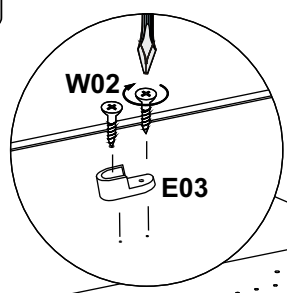
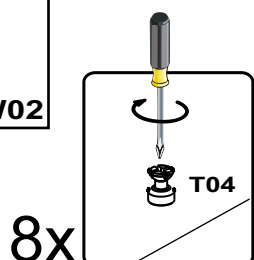
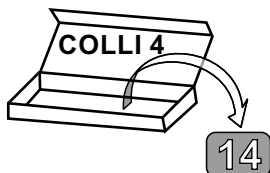
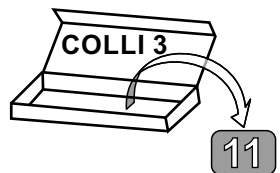
3

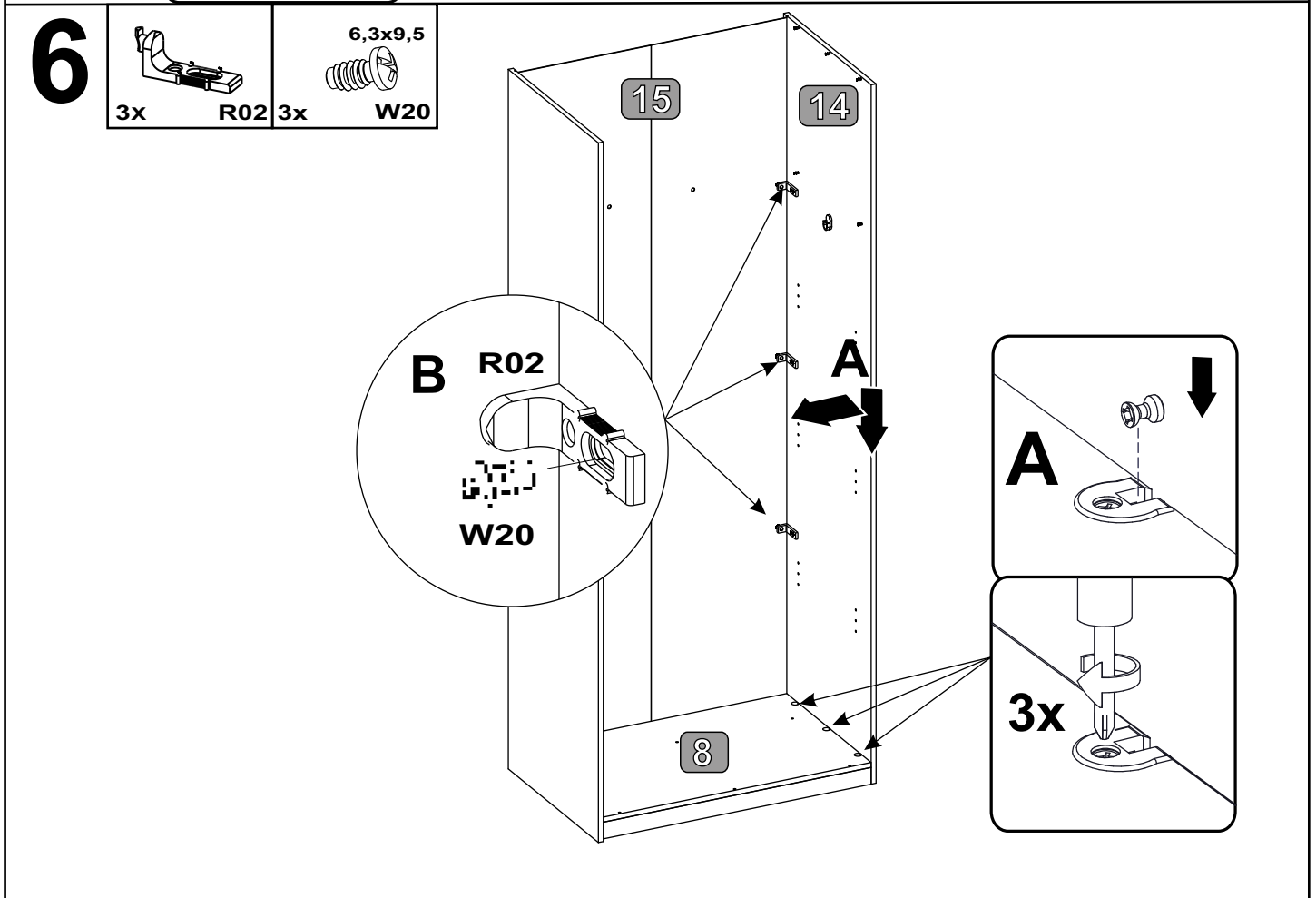
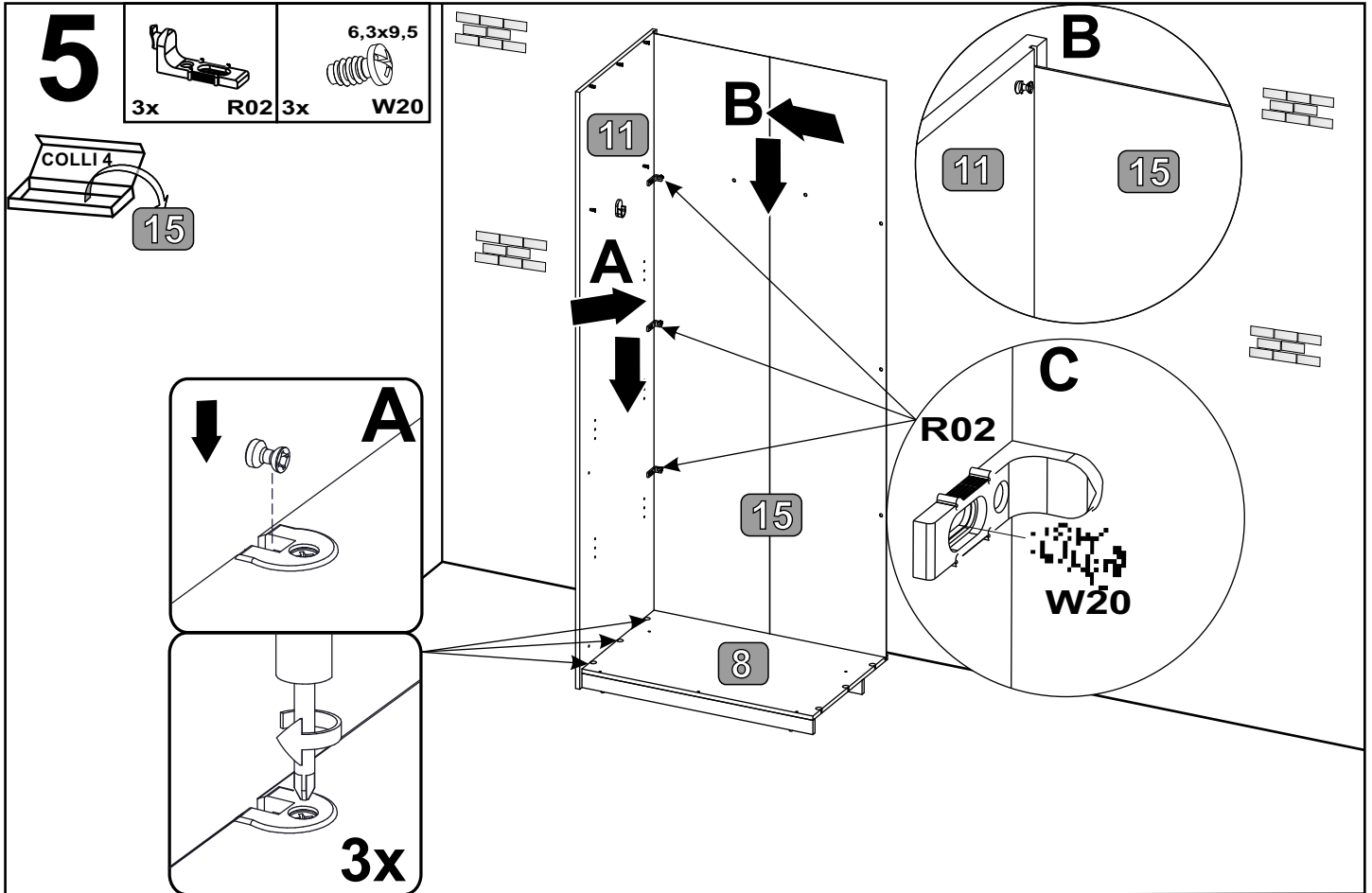


[2x]

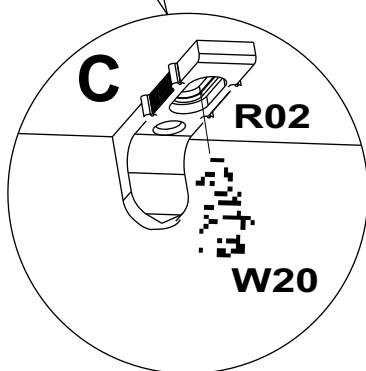
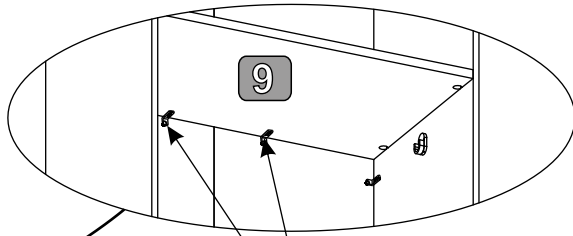
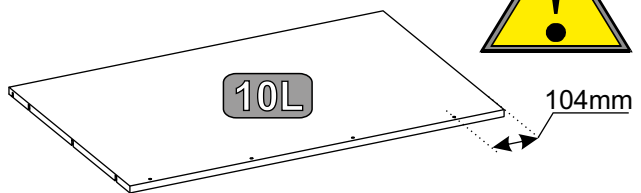
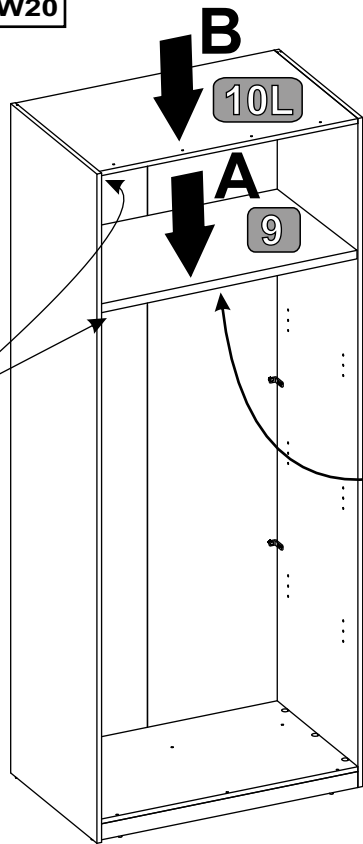
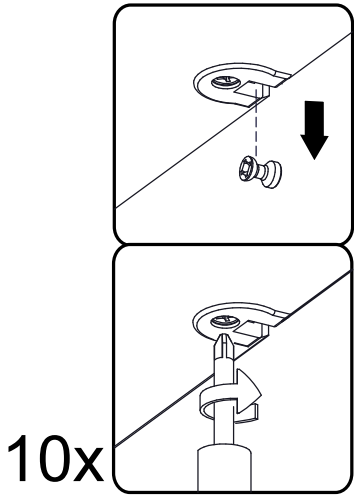
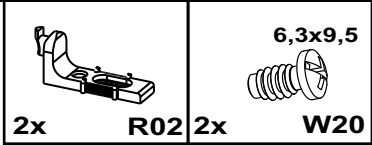
4

4x		S01	24x		T04	3x		E03	6x		W02
----	---	-----	-----	---	-----	----	---	-----	----	---	-----

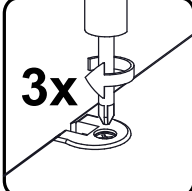
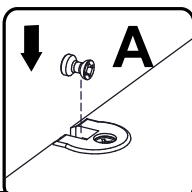
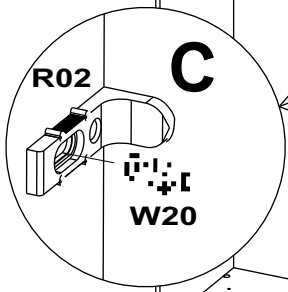
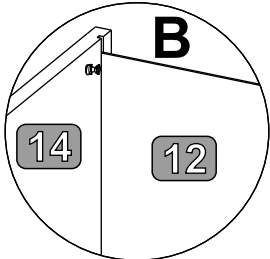
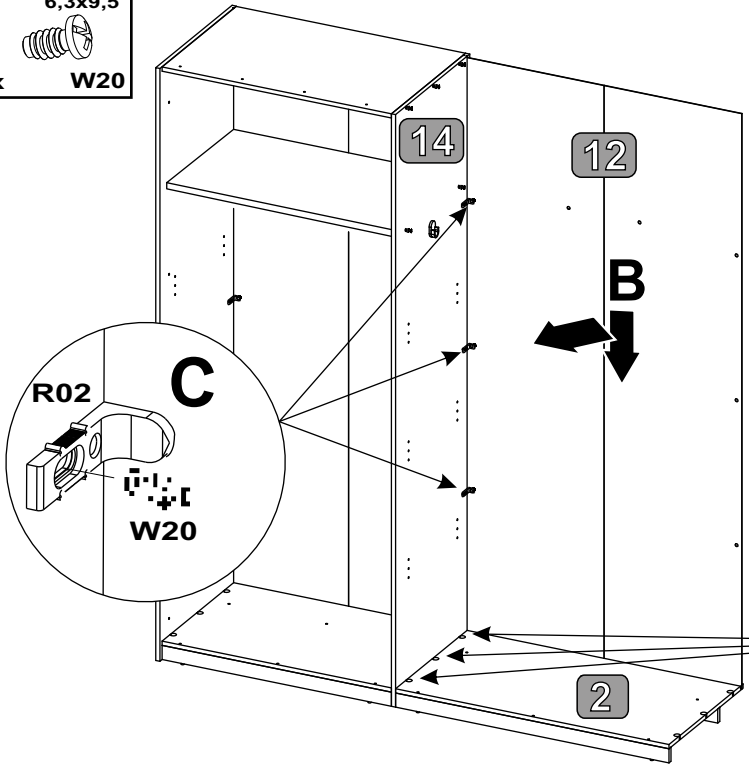
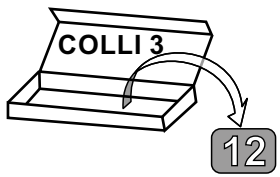
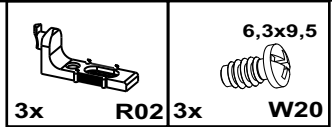




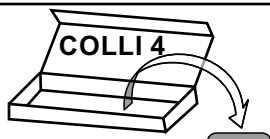
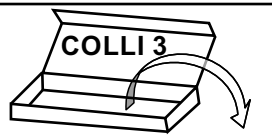
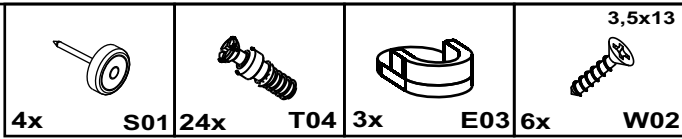
7



8

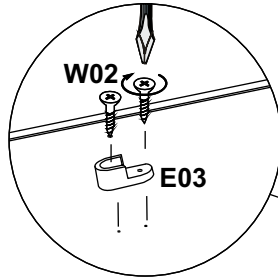


9



13

14



13

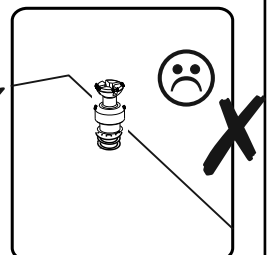
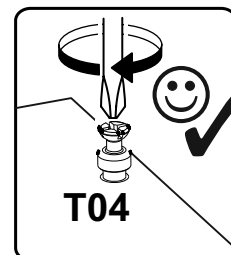
8x

8x

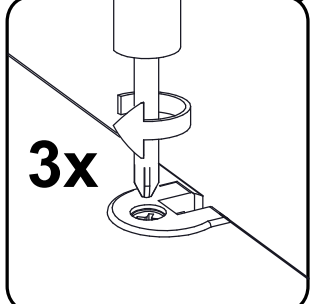
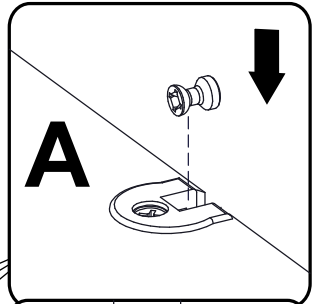
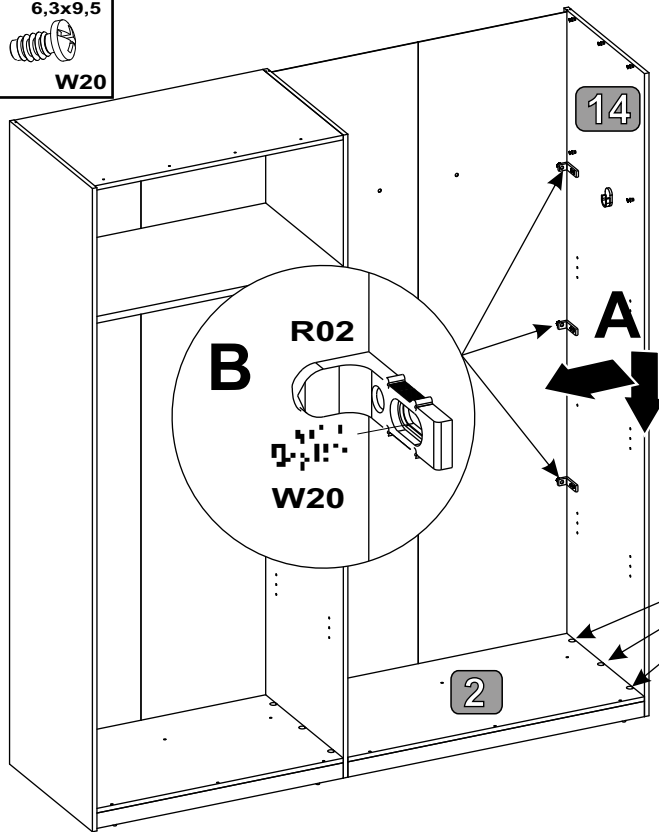
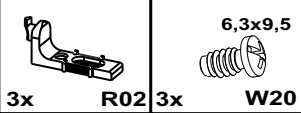
14

14

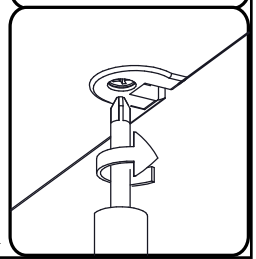
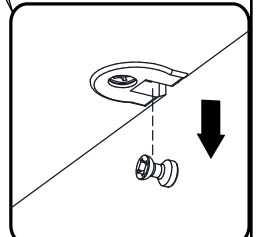
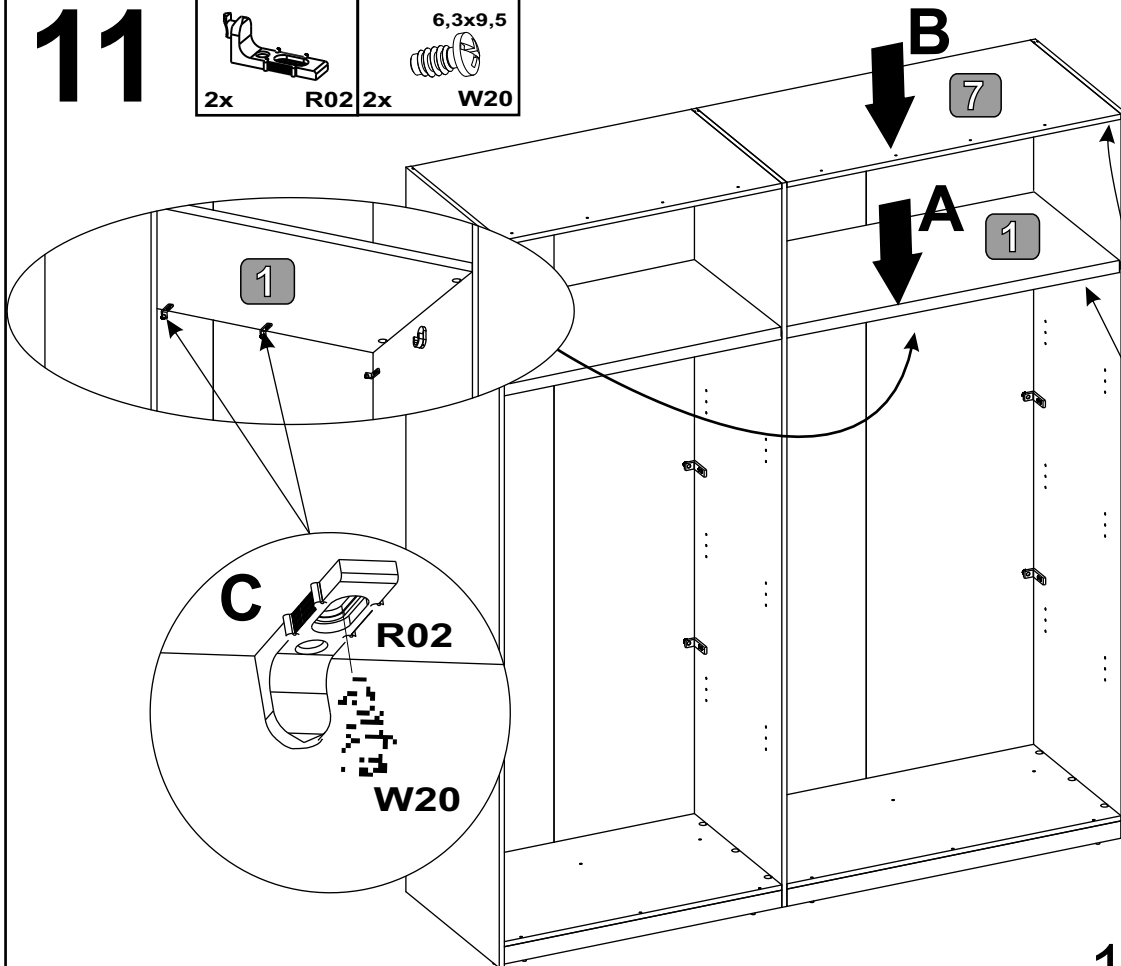
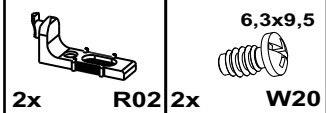
8x



10

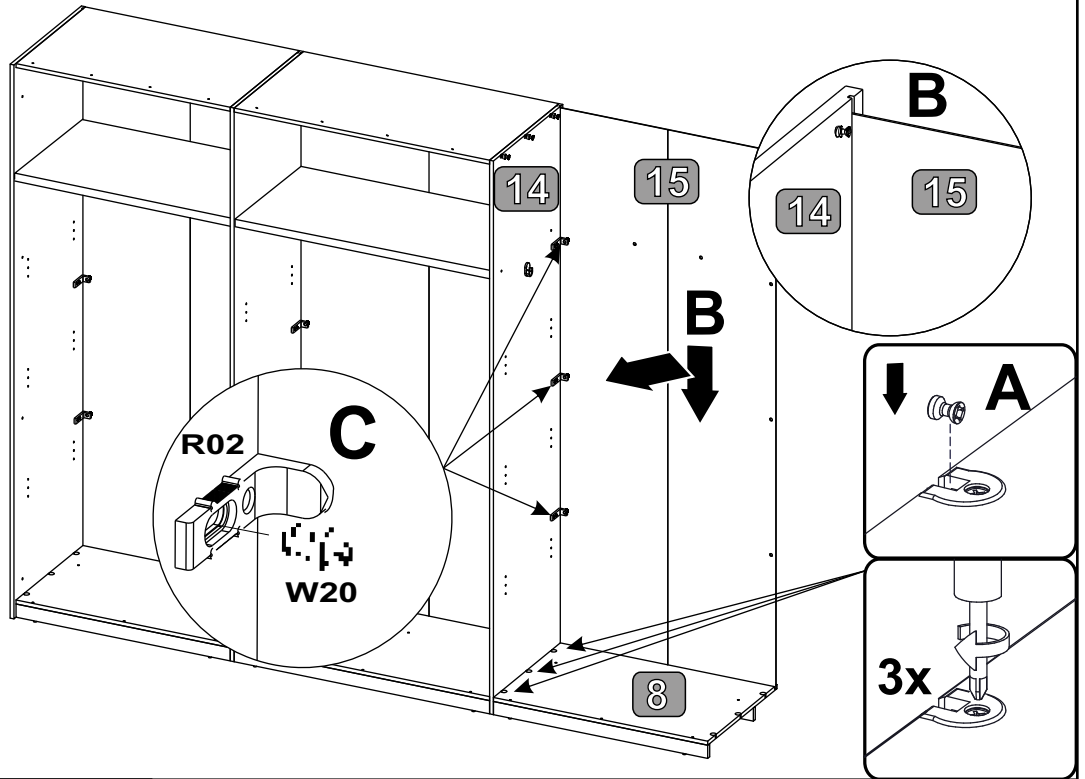
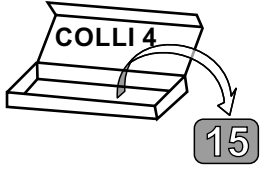
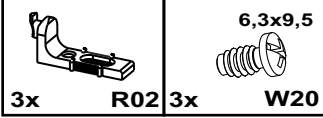


11

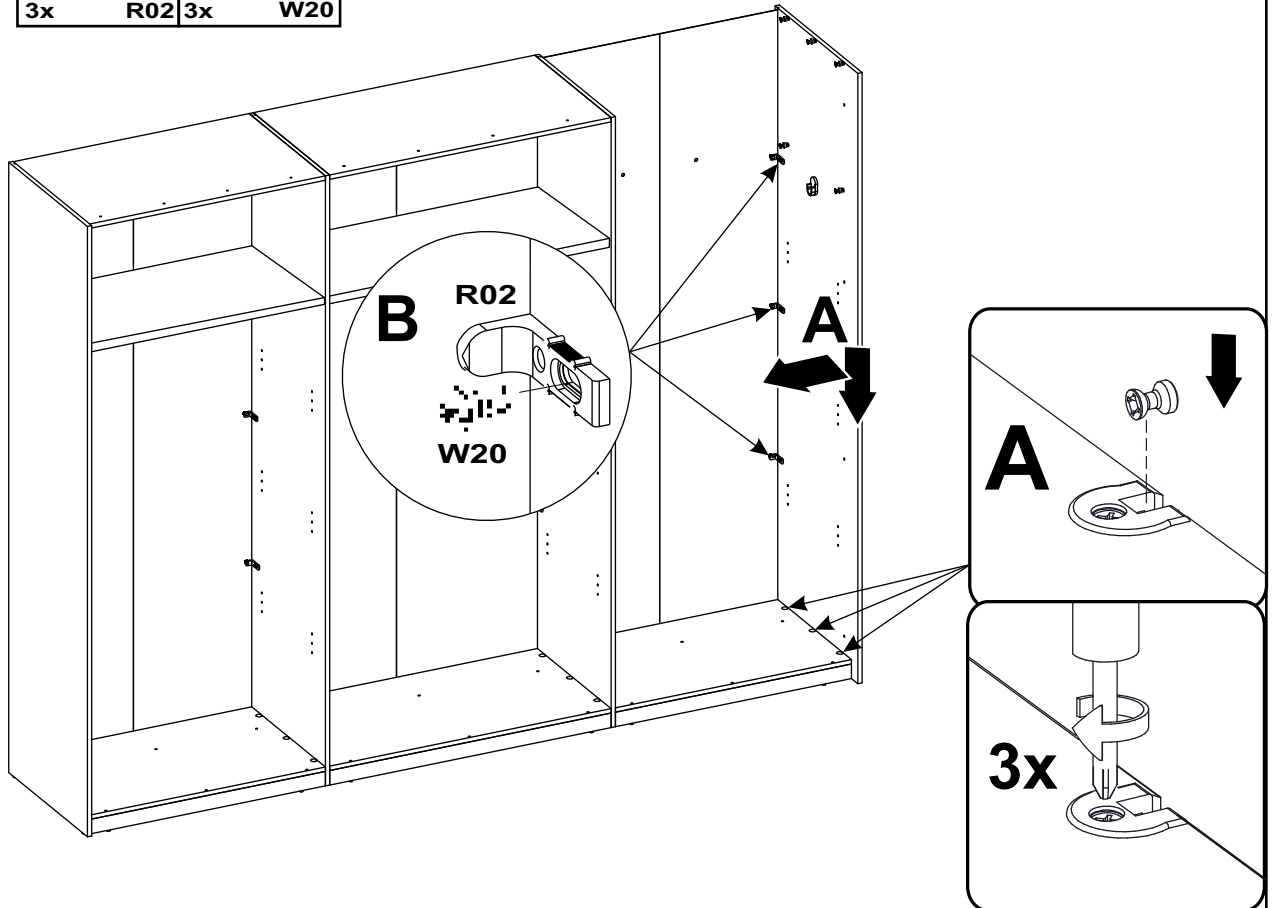
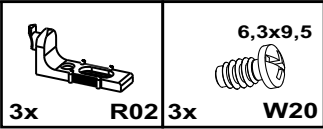


10x

12



13



14

2x R02 2x W20 6,3x9,5

10R 51mm B

9 A

C R02 W20

10x

15

L-981 1x J01 L-823 2x J02

Ø13 18x C02

COLLI 1 J01 J02

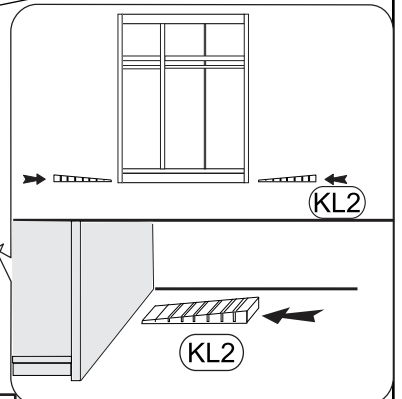
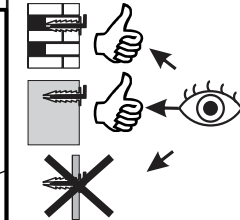
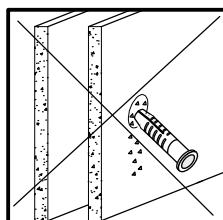
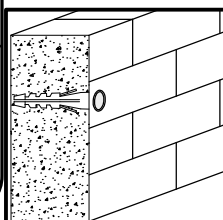
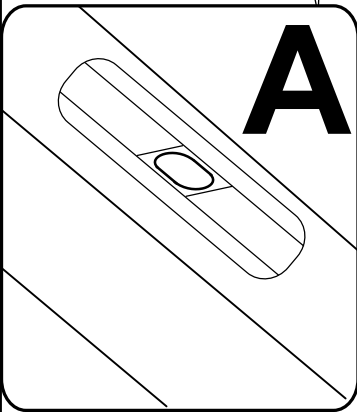
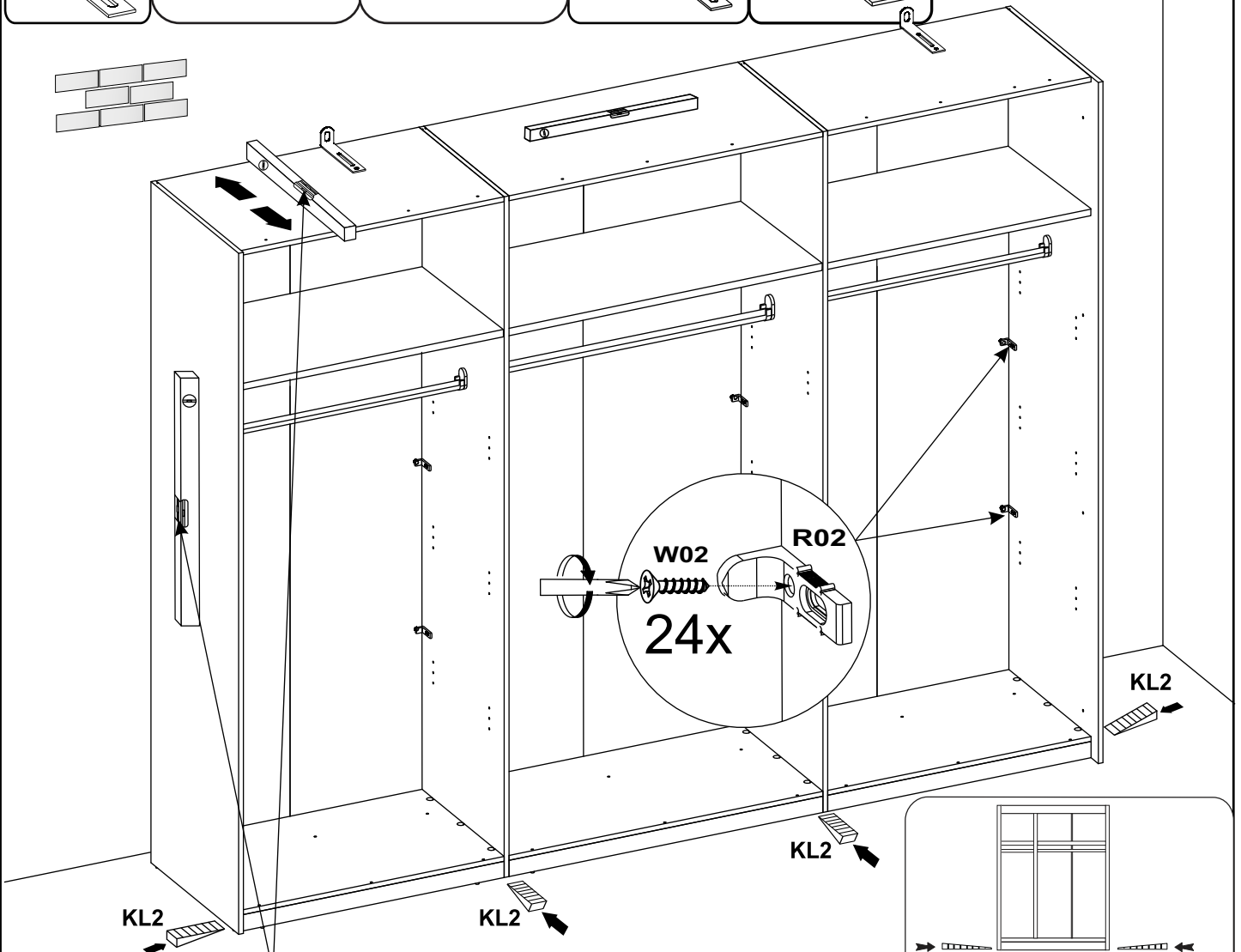
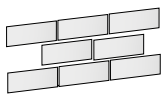
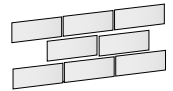
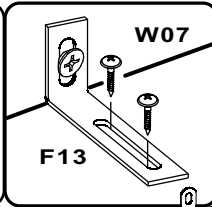
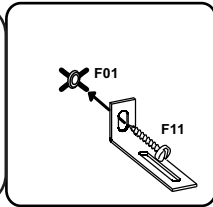
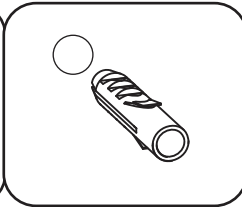
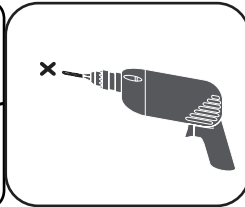
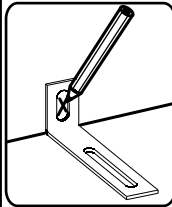
A J01 J02

B J01 J02

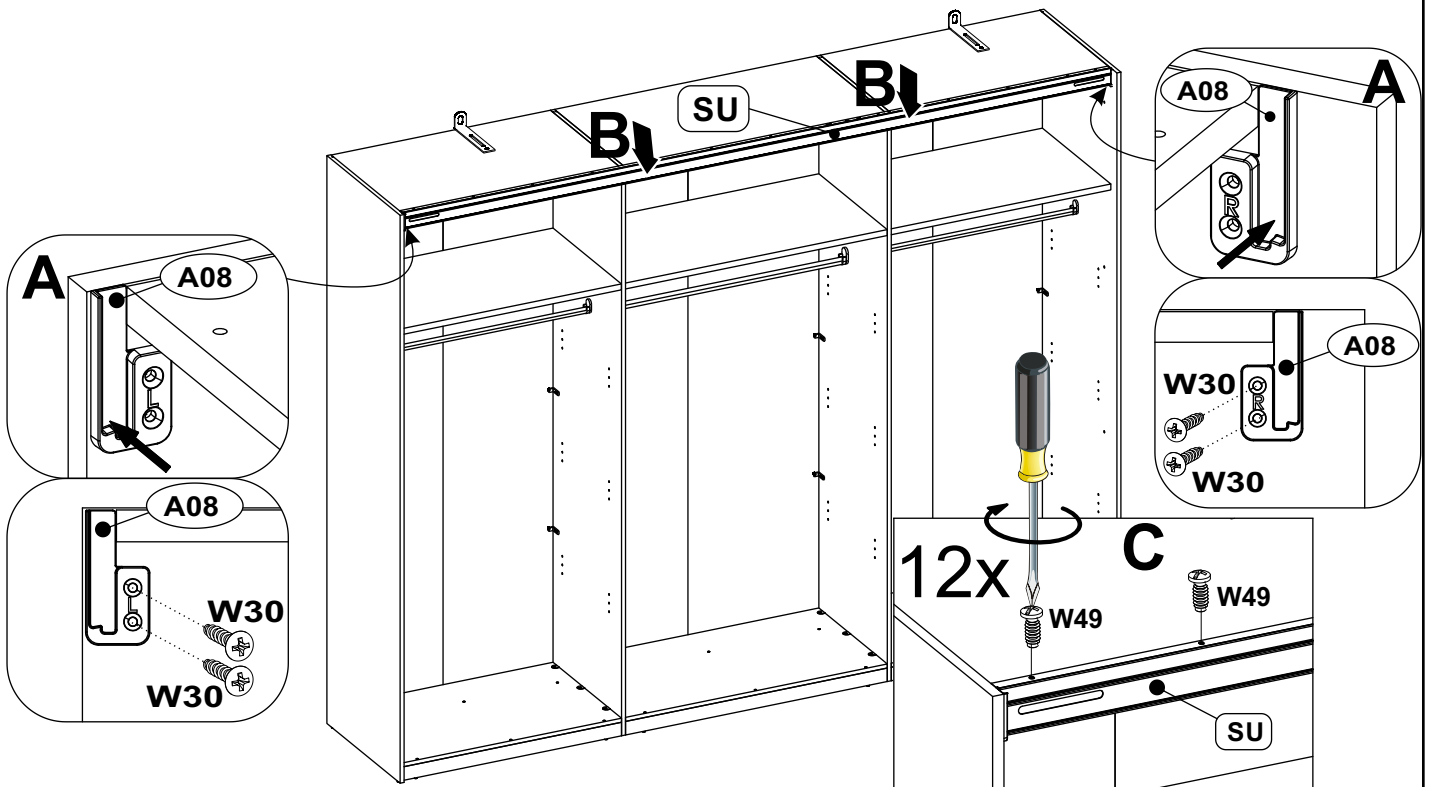
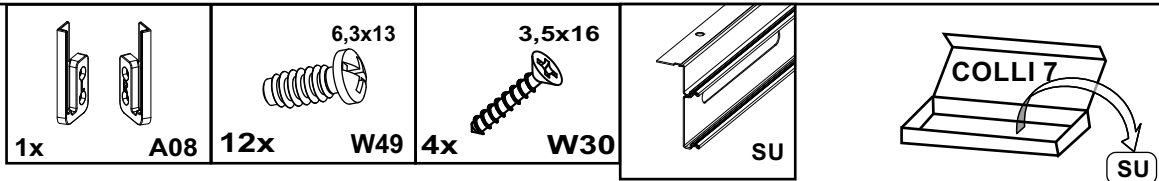
C02 18x

16

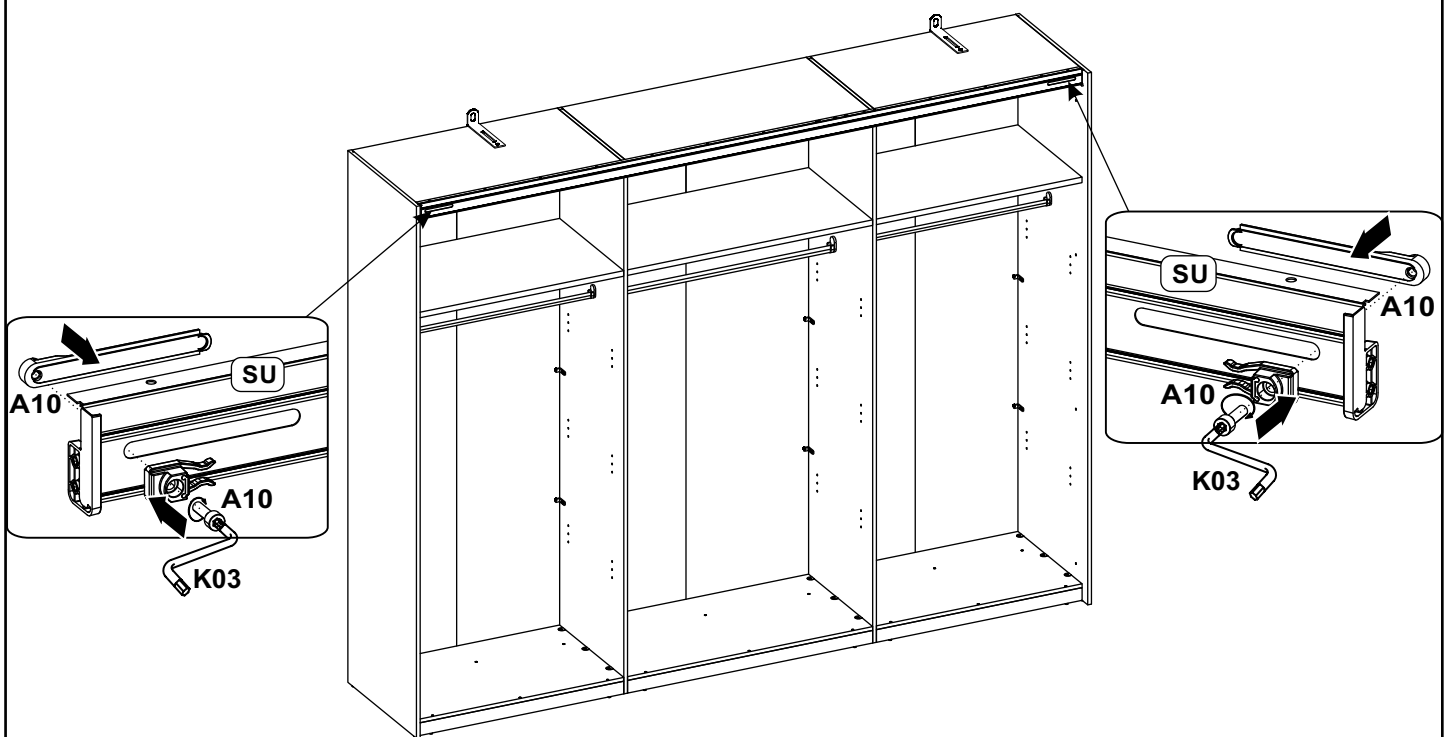
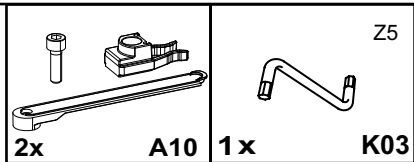
4x	KL2	2x	F01	2x	F11	2x	F13	4x	W07	24x	W02
----	-----	----	-----	----	-----	----	-----	----	-----	-----	-----



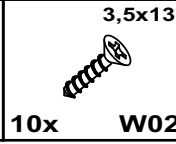
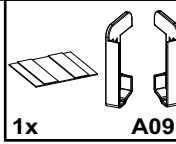
17



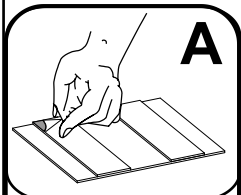
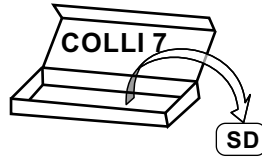
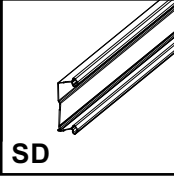
18



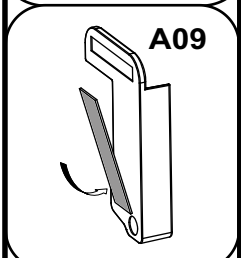
19



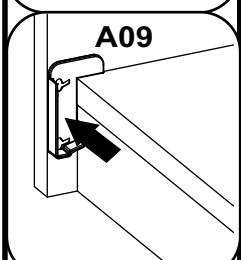
3,5x13



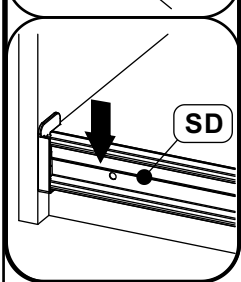
A



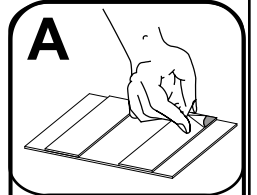
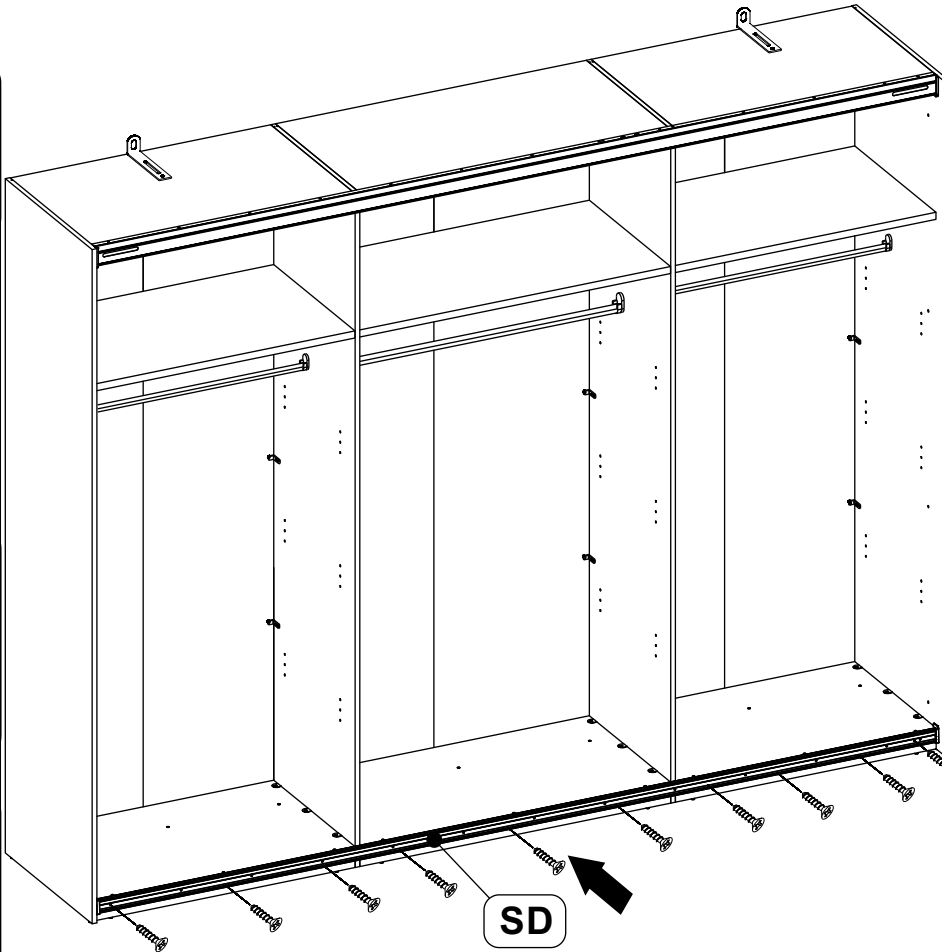
A09



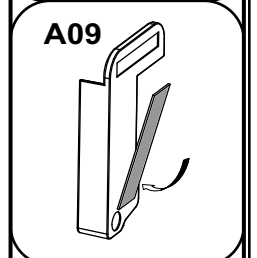
A09



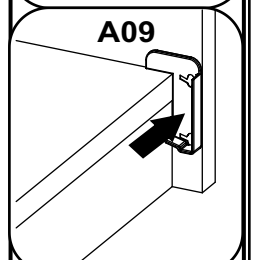
SD



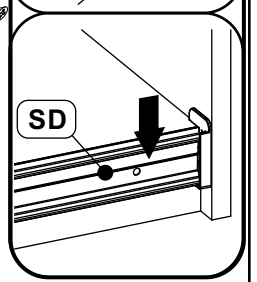
A



A09

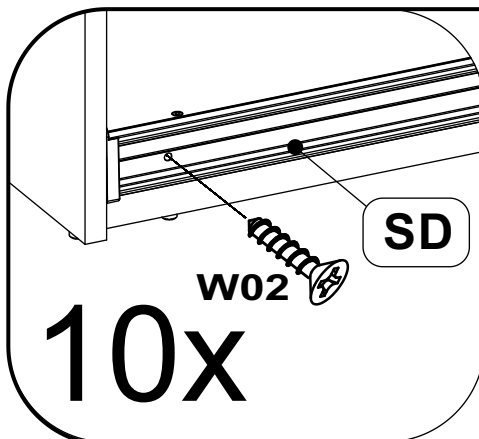


A09

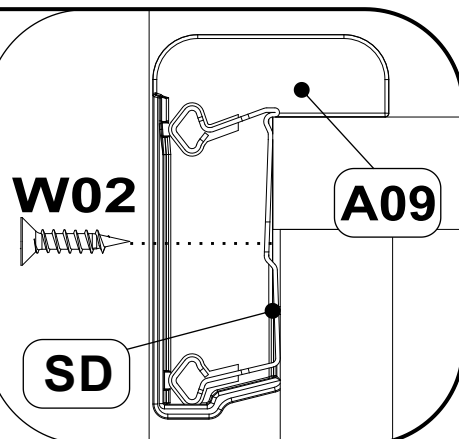


SD

B



SD



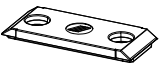
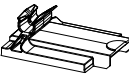

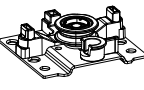
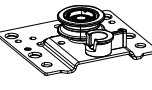
W02

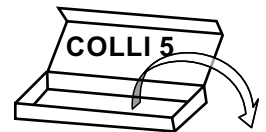
A09

SD

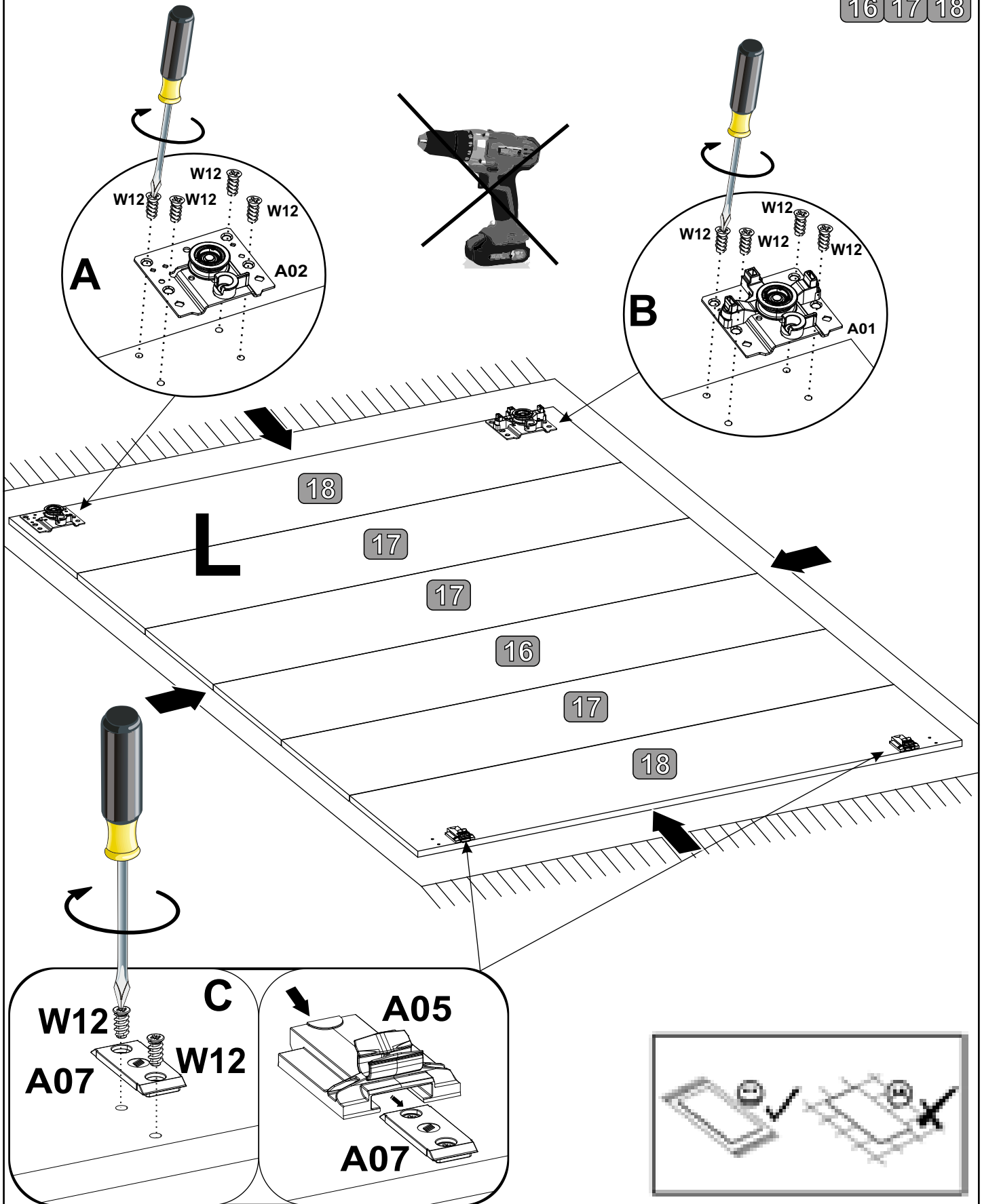
10x

20

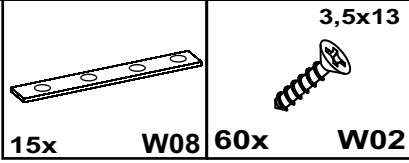
 2x A07	 2x A05	 12x W12	 1x A01	 1x A02
---	---	--	---	--



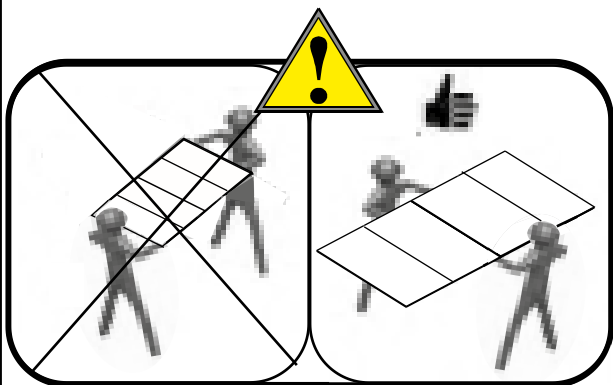
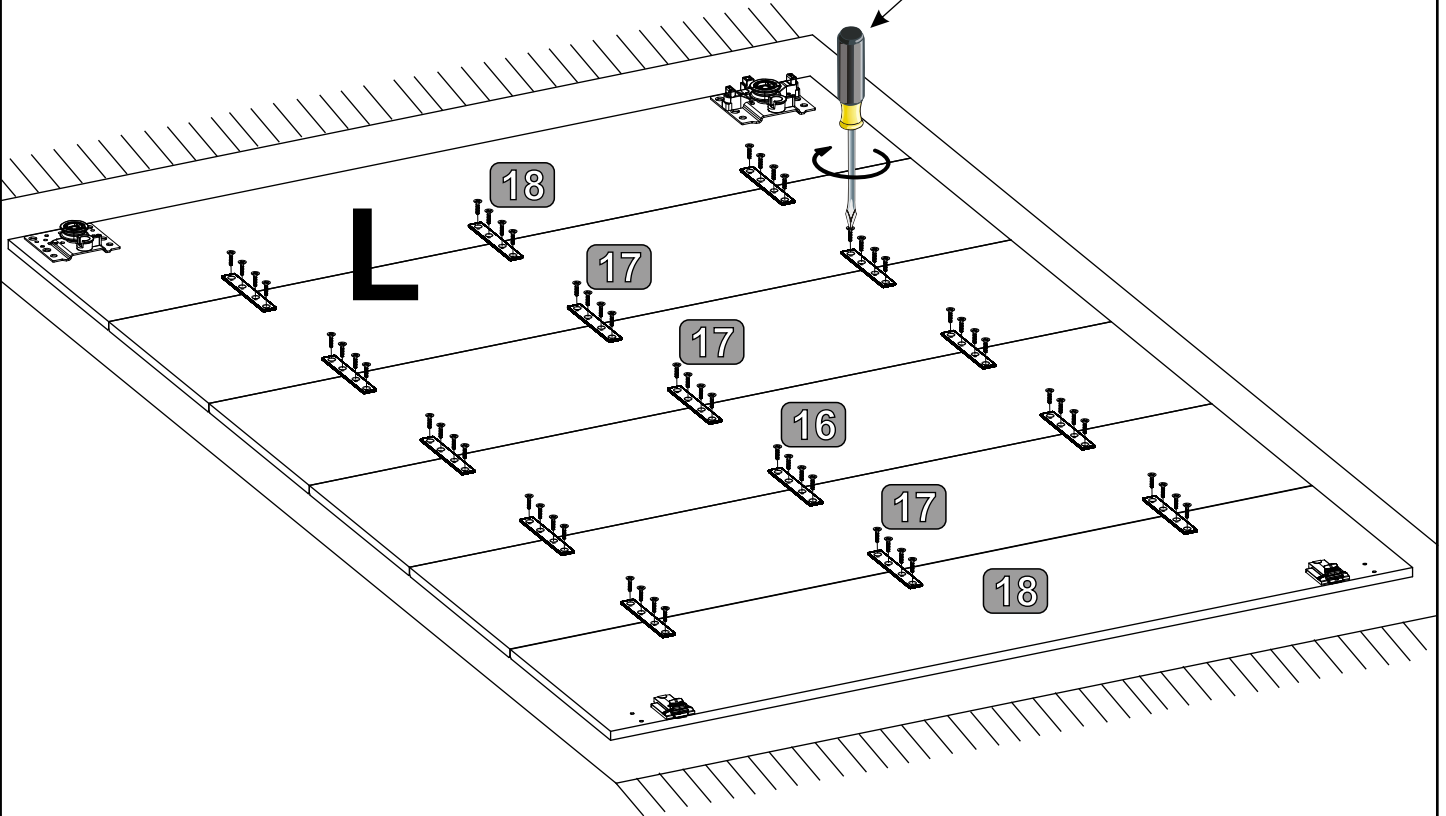
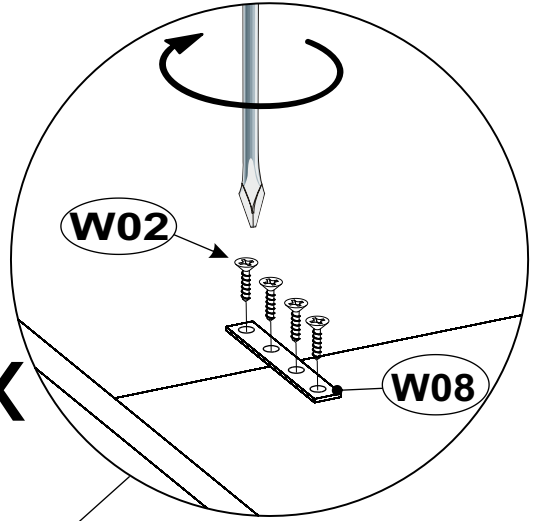
16 17 18



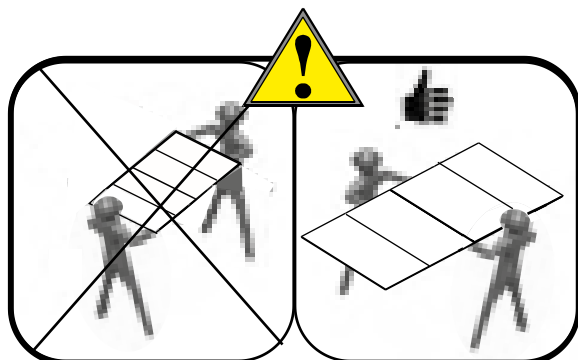
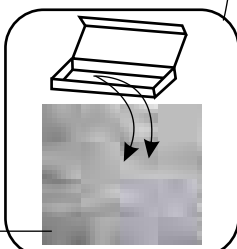
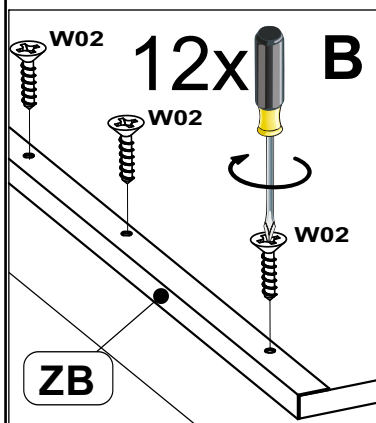
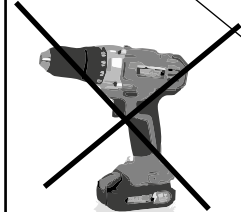
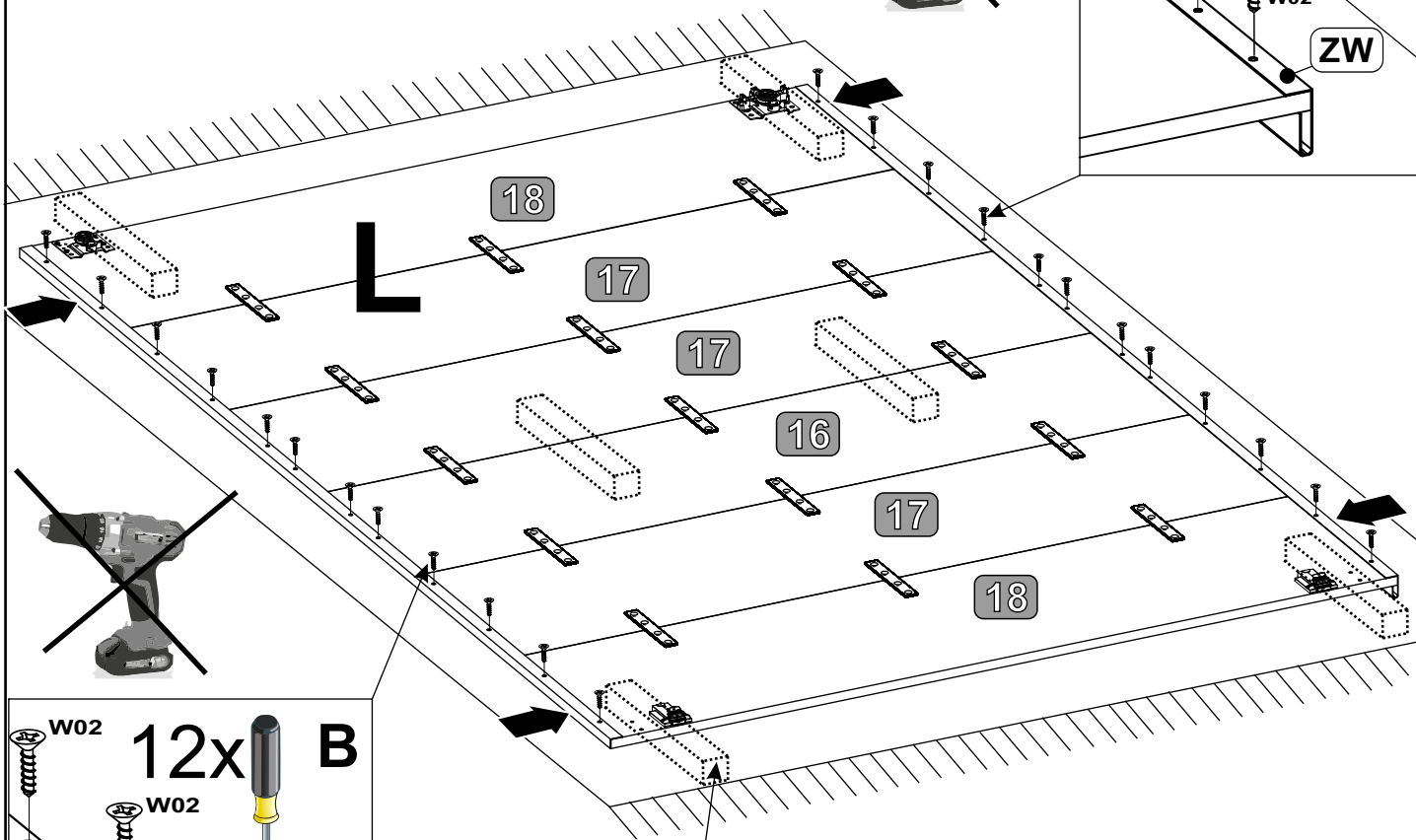
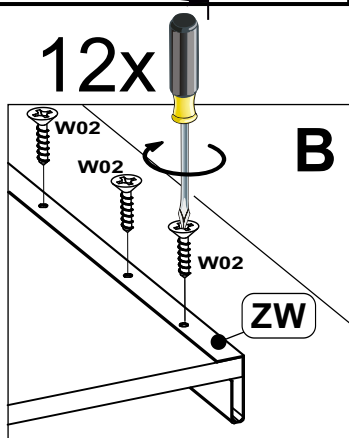
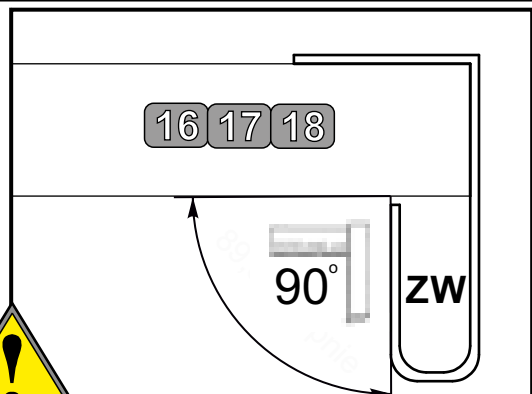
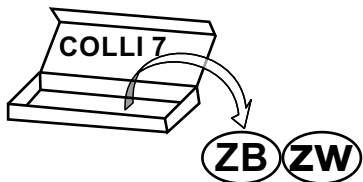
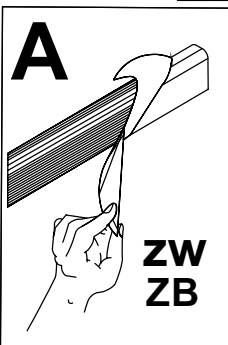
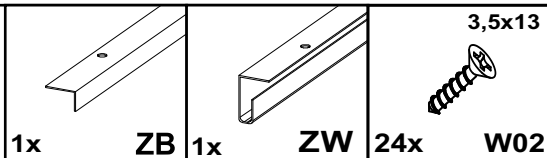
21



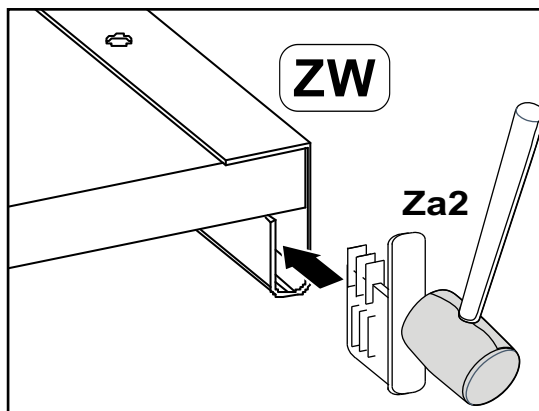
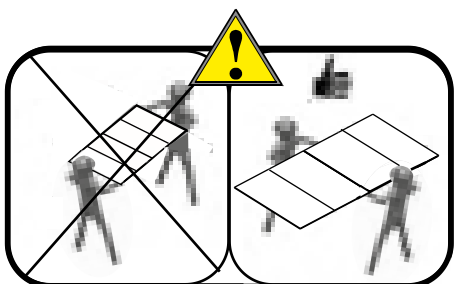
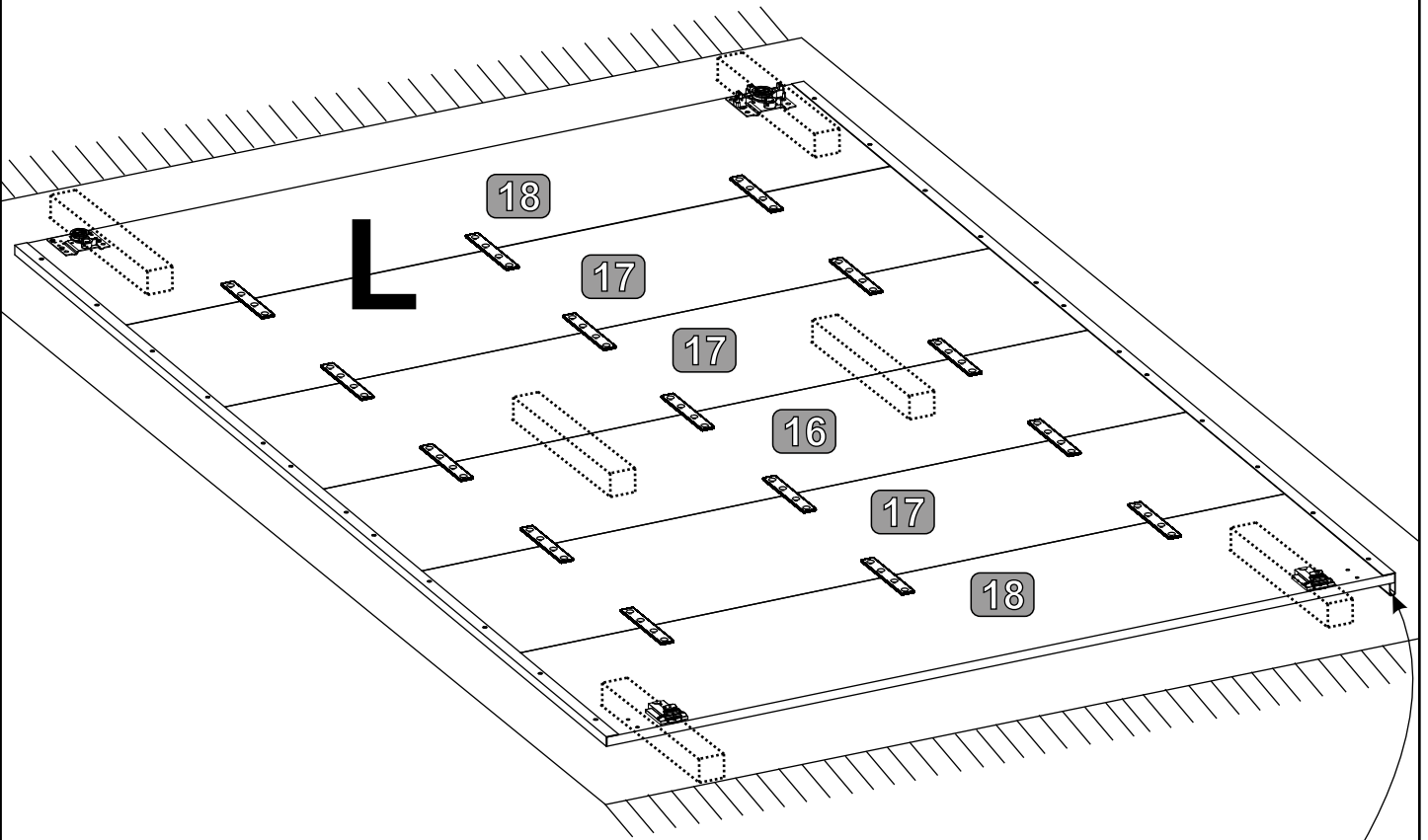
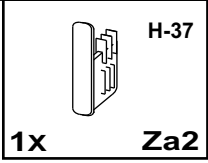
15x



22



23



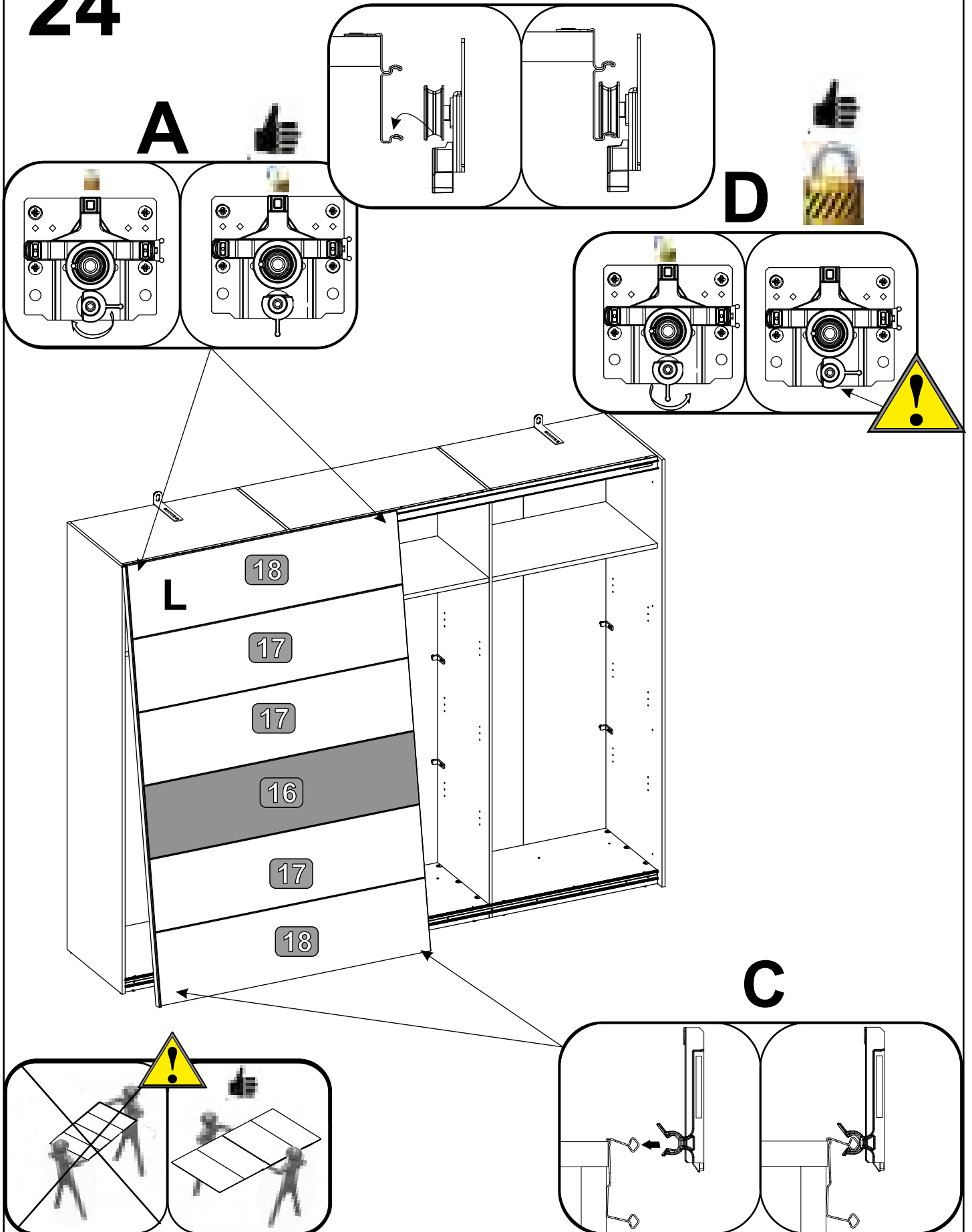
24

B


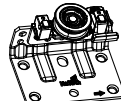
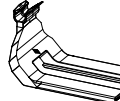
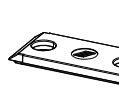
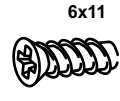
A

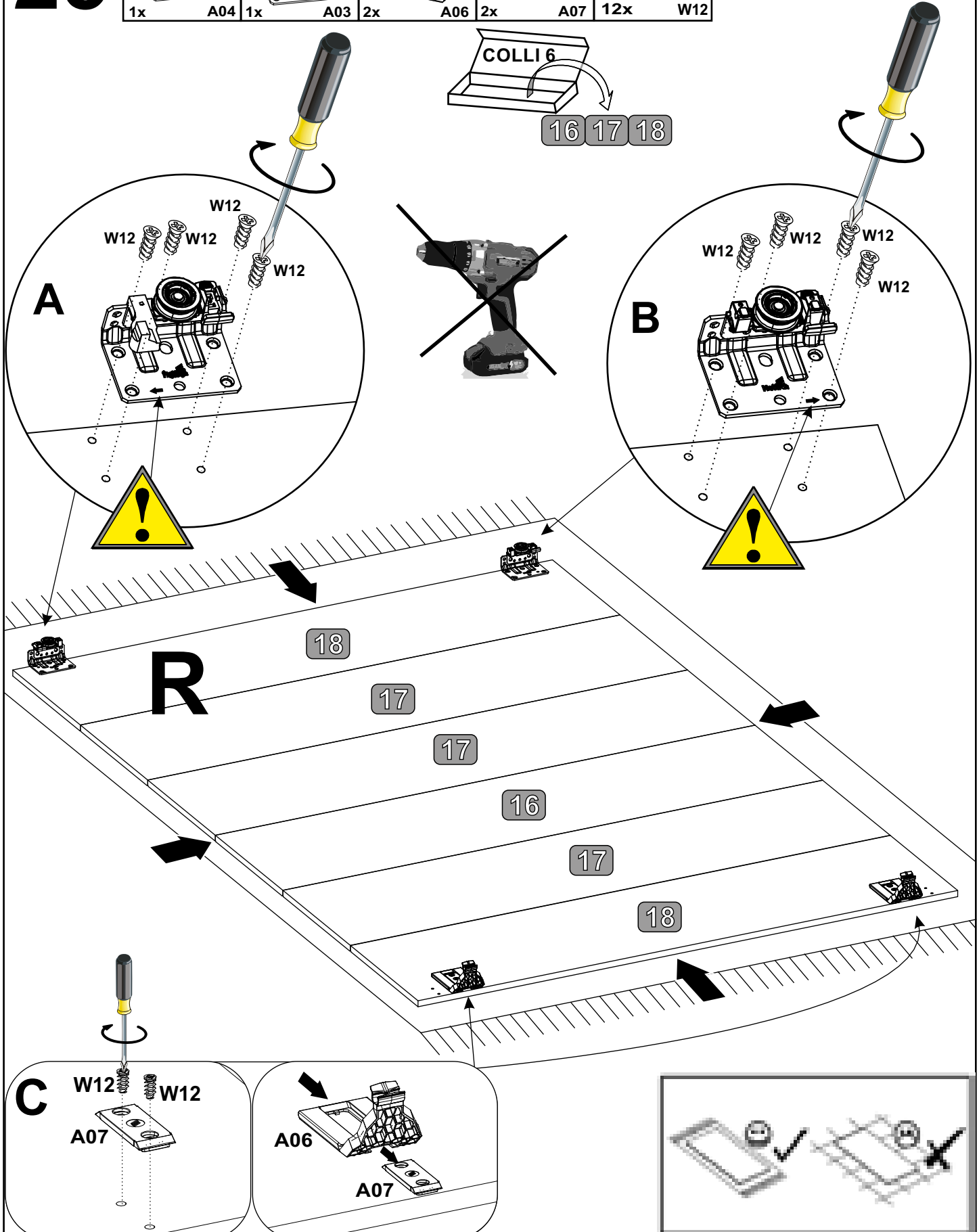
D

C

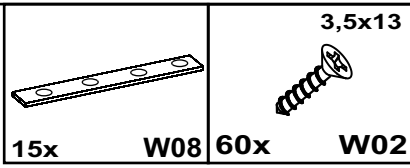


25

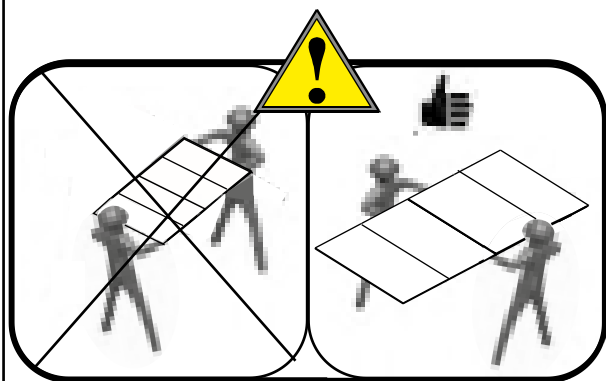
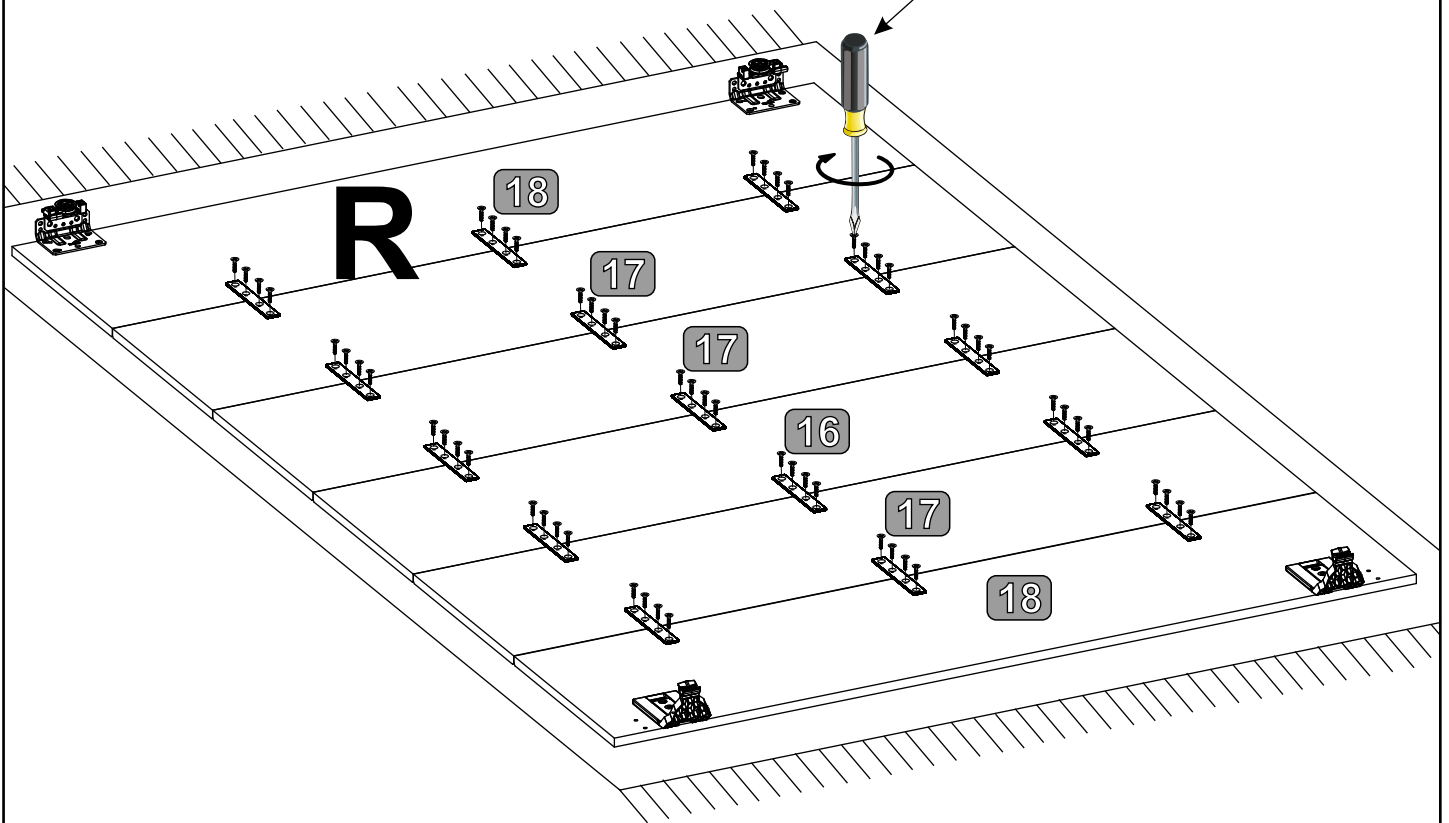
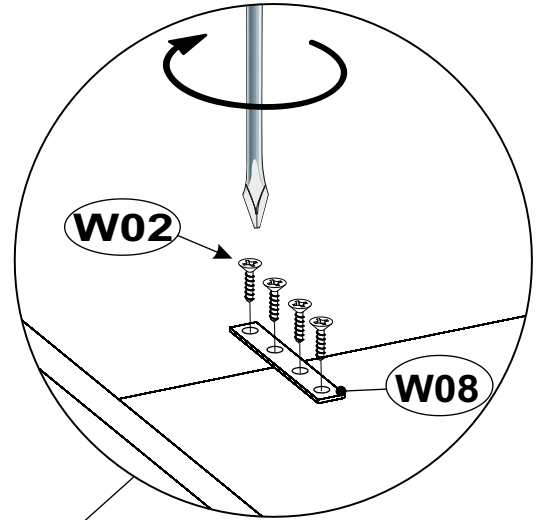
 1x A04	 1x A03	 2x A06	 2x A07	 6x11 12x W12
---	---	---	---	---



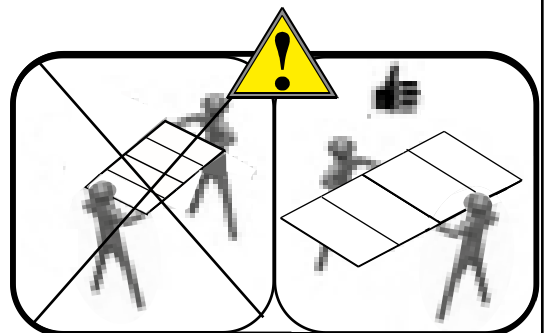
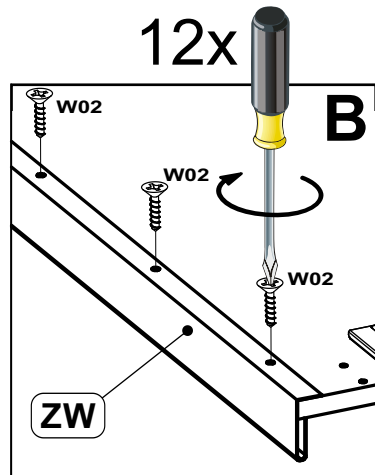
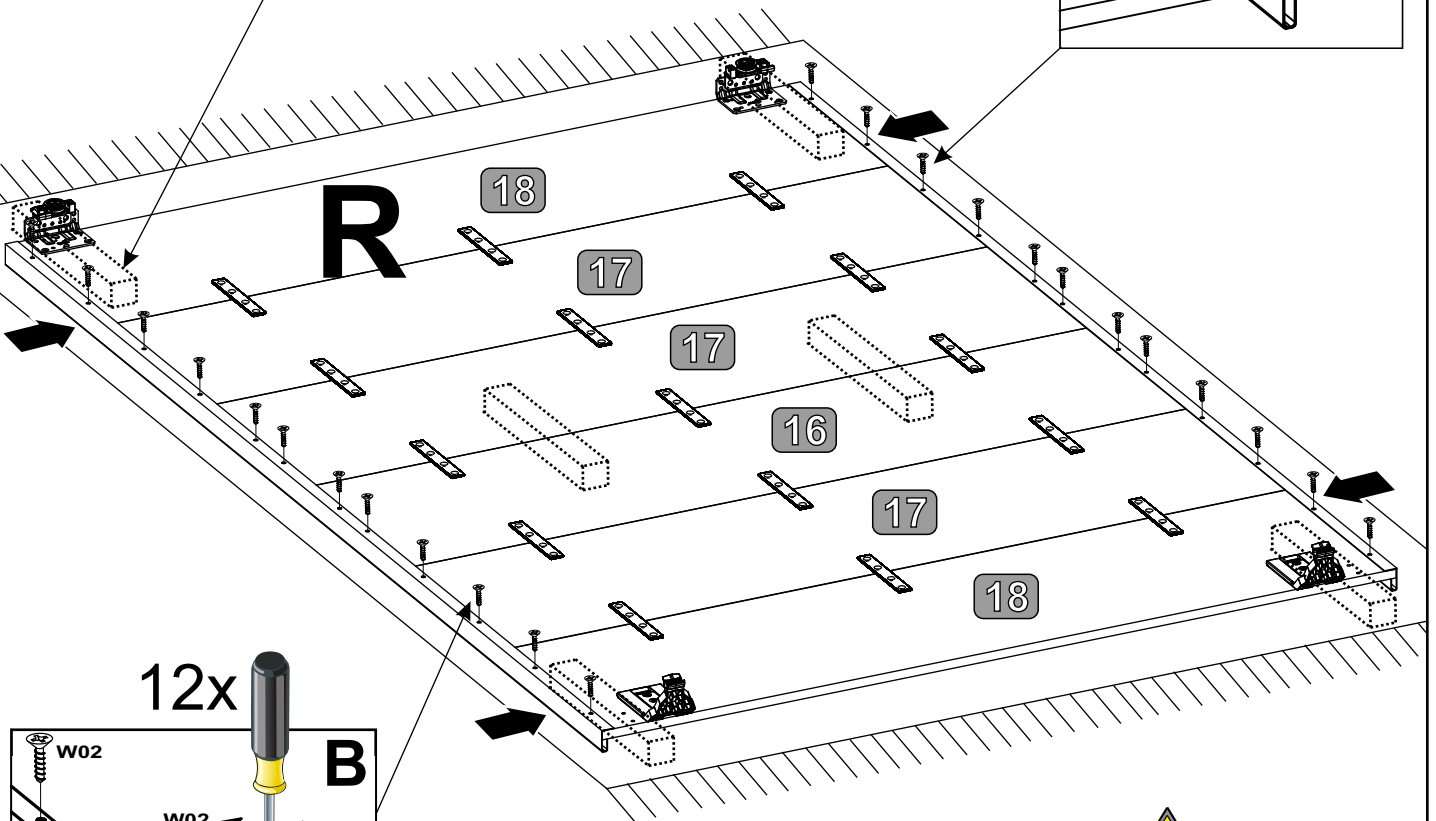
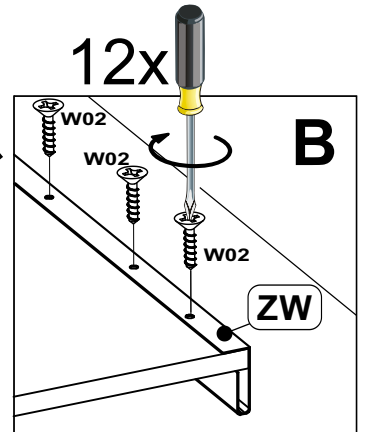
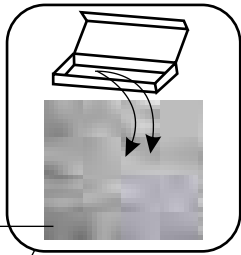
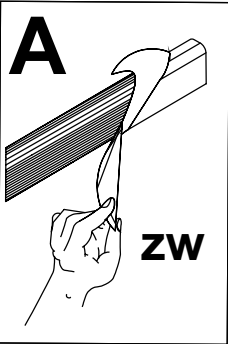
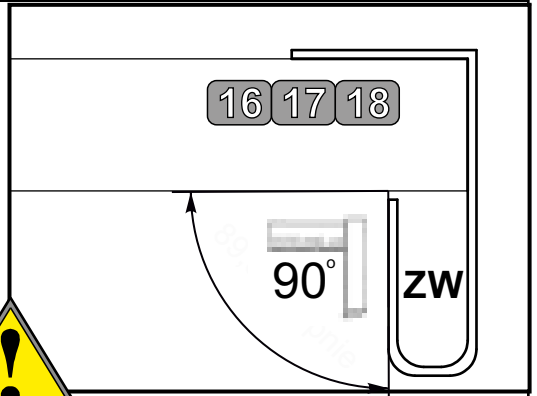
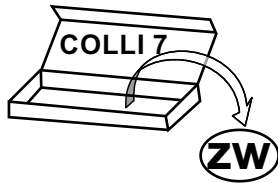
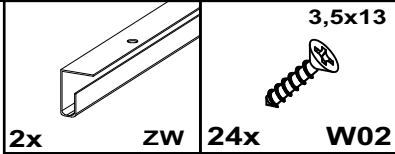
26



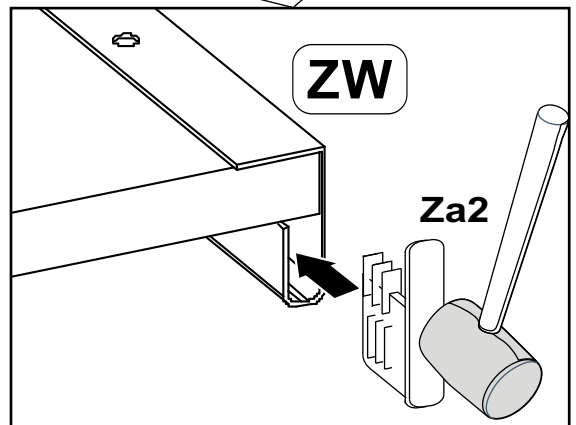
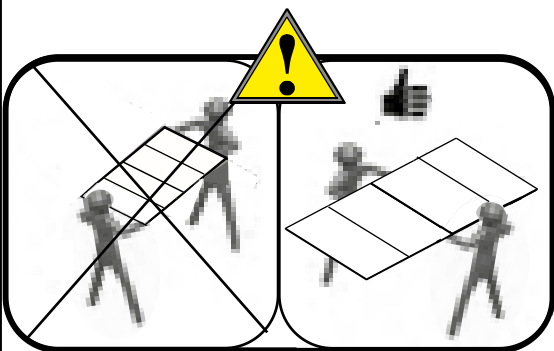
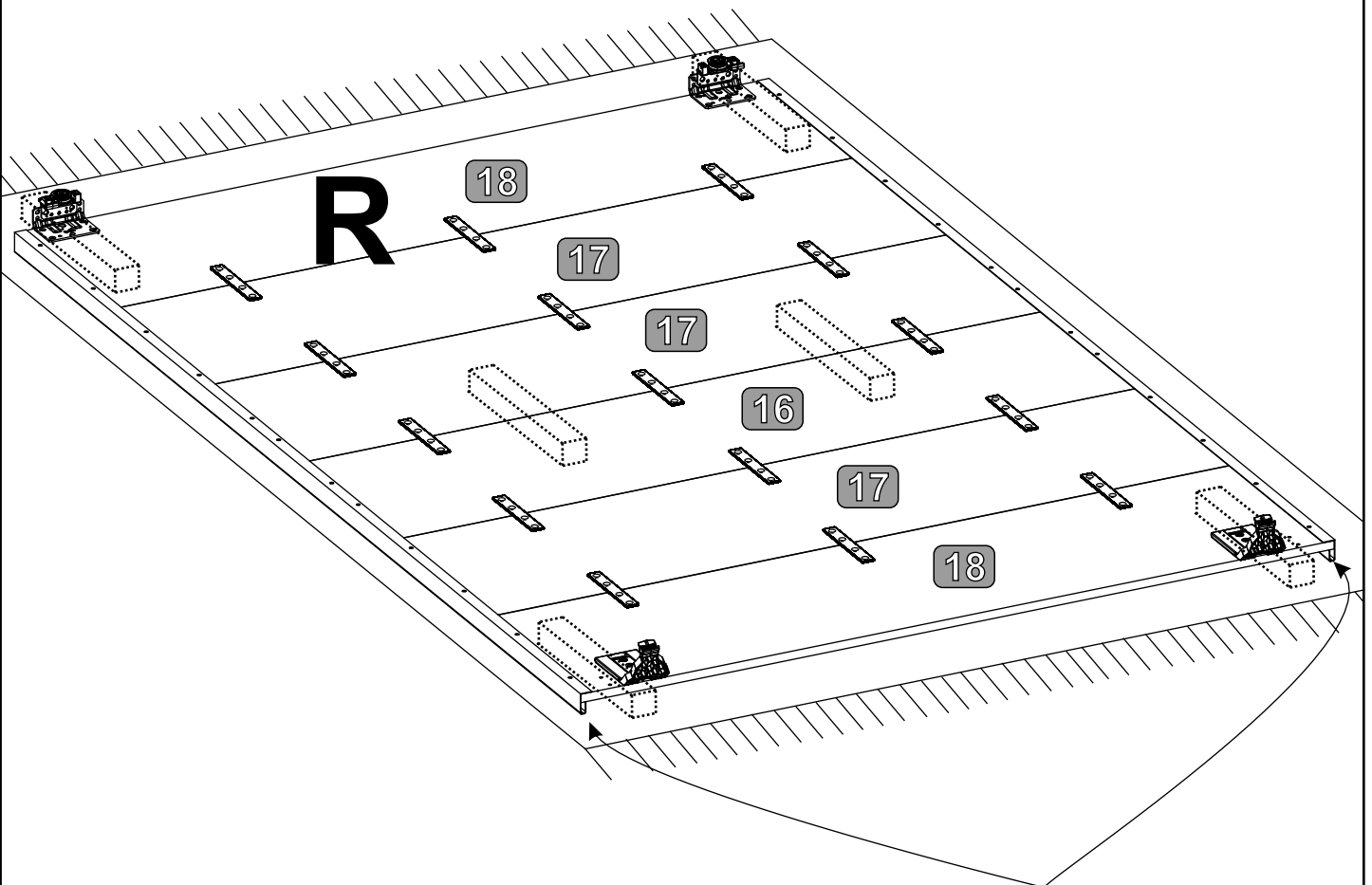
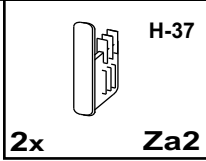
15x



27

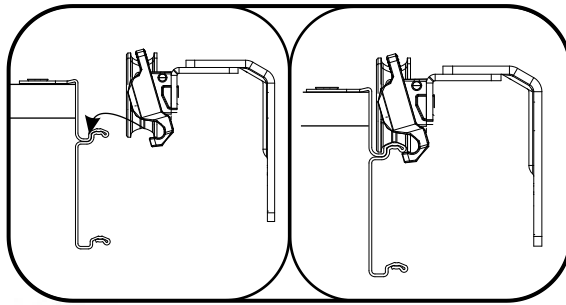


28

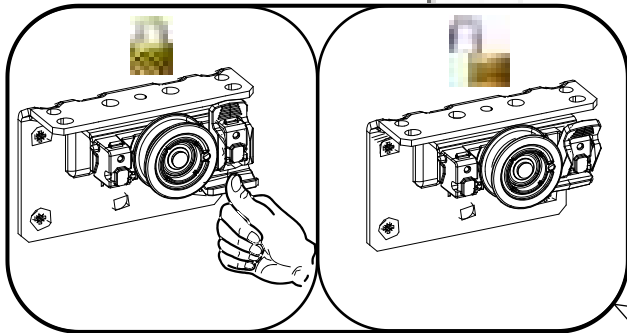


29

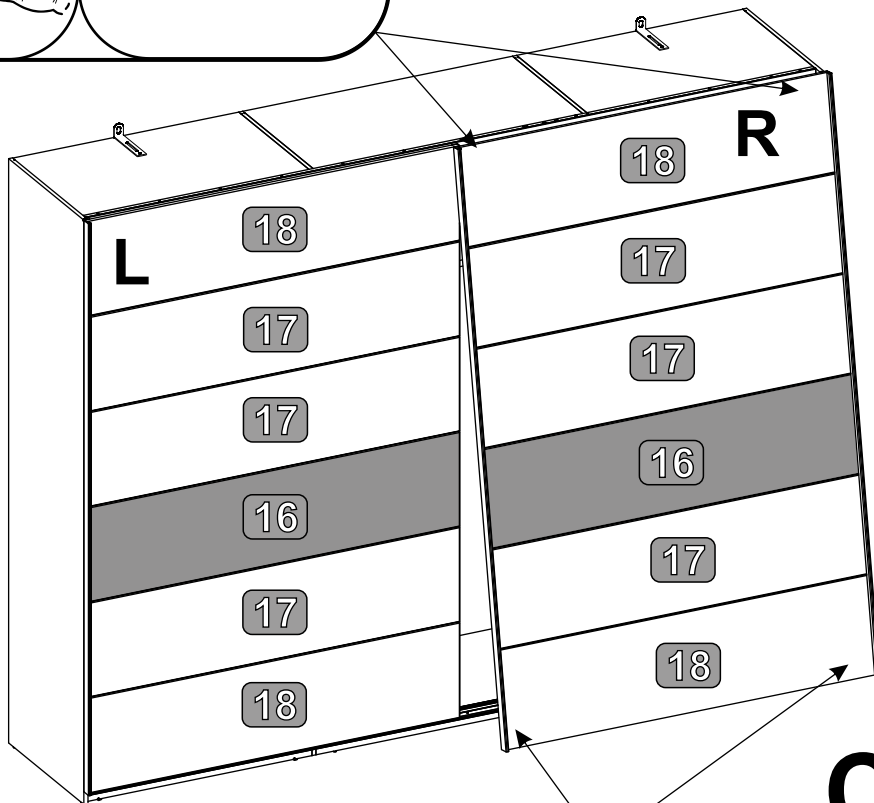
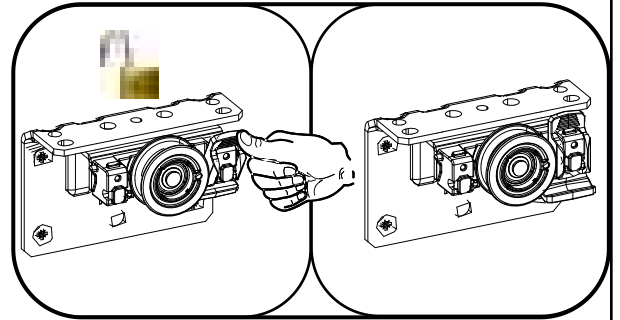
B



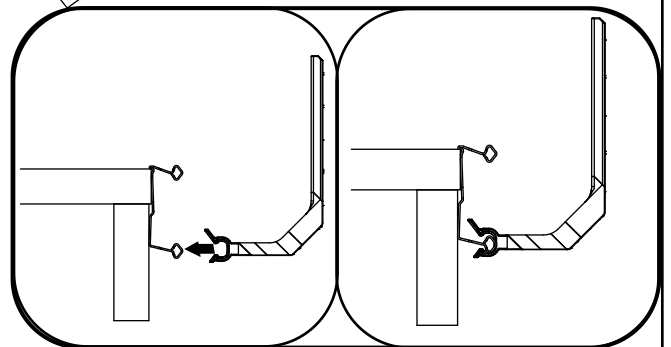
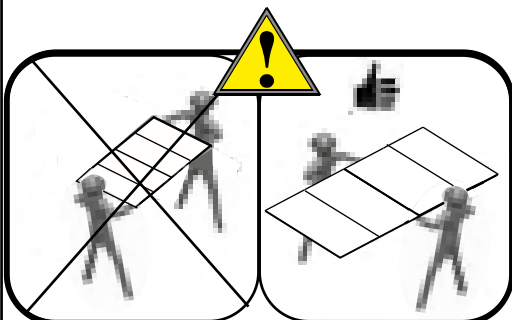
A



D



C



30

